

# 2020-CURRENT CHEVY 2500-3500 DEFENDER SERIES GRILLE GUARD

## INSTALLATION INSTRUCTIONS



FOLLOW US ON SOCIAL MEDIA!



@HAMMERHEADARMOR

## SAFETY

**Know Safety, no injury. Know injury, no safety. ~Author Unknown**  
If there are any questions, call 1-855-HHTOUGH

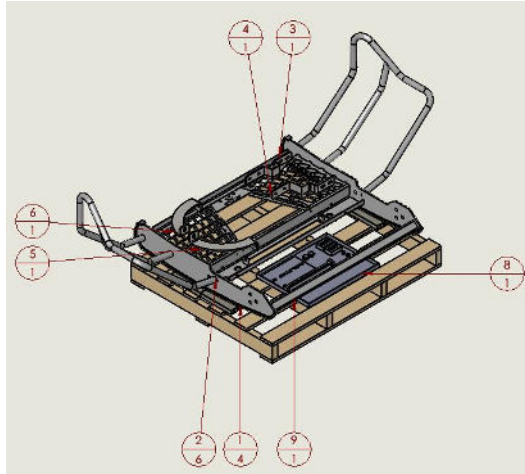
- **READ ALL SAFETY INSTRUCTIONS BEFORE INSTALLATION**
  - FOLLOW ALL INSTRUCTIONS FOR PROPER ASSEMBLY
  - WEAR APPROPRIATE EYE PROTECTION
  - EXERCISE CARE WHEN LIFTING COMPONENTS
  - USE APPROPRIATE TORQUE FOR BOLTS
  - BLUE THREAD LOCKING COMPOUND IS RECOMMENDED ON ALL BOLTS



<b>Suggested Torque Values For Steel Grade 5 Standard Bolts</b>		
BOLT DIAMETER (INCH)	THREADS PER INCH	TORQUE (POUND - FEET)
1/4	20	7
5/16	18	14
3/8	16	25
7/16	14	40
1/2	13	60
9/16	12	88
5/8	11	120
3/4	10	200
7/8	9	302
1	8	466

<b>Suggested Torque Values For Steel Grade 8.8 Metric Bolts</b>		
BOLT DIAMETER (mm)	THREAD PITCH (mm)	TORQUE (POUND- FEET)
6	1.0	7
8	1.25	16
10	1.5	32
12	1.75	55
14	2.0	88
16	2.0	140
18	2.5	195
20	2.5	275
22	2.5	375
24	3.0	475

**I. PARTS LIST**



ITEM NO.	QTY	PART NUMBER	DESCRIPTION	
3	1	601-56-4660	R FRAME MOUNT WELDMENT	-
4	1	601-56-4661	L FRAME MOUNT WELDMENT	-
5	1	601-56-5662	R UPPER MOUNT	-
6	1	601-56-5663	L UPPER MOUNT	-
7	1	601-56-9992	BLACK HAMMERHEAD LABEL W/ HOLES	-
8	1	60H-56-0292	INSTALL KIT #292	-
9	1	60P-56-1045	600-56-1045 POLISHED	-

**REMOVE CONTENTS FROM BOX AND VERIFY ALL PARTS ARE PRESENT.**

**If there are any questions, call 1-855 HHTOUGH or email [HHORDERS@hammerheadarmor.com](mailto:HHORDERS@hammerheadarmor.com)**

**II. TOOL LIST**

1. A Good Friend
2. Basic Tool Kit
3. Blue Masking Tape
4. 18mm Socket
5. 15mm Socket or Wrench
6. 13mm Socket or Wrench
7. 10mm Socket or Wrench
8. 7mm Socket and Wrench
9. 3/4 Socket or Wrench

### III. VEHICLE PREPARATION

1. Park vehicle on level surface.
2. Engage parking brake and disconnect battery.
3. Place blue tape along the inside upright portion of the valence under the headlight. Using a plastic body pry tool, pry the plastic piece under the headlight. Pull it out enough to access bolt attaching the grill to the body. Using a 10mm socket (arrow), remove bolt. (both sides) NOTE: It can be difficult to disengage the tabs.



4. Using a T15 Torx, remove two bolts attaching hood lever extension to lever. Remove lever and set aside. NOTE: After removing lever, DO NOT SHUT HOOD!



5. Use trim tool to remove nine push pins attaching engine shroud to body. Remove and set aside.



6. Using a 10mm socket, remove four bolts attaching grill top to body. Remove grill by gently pulling away from truck and set aside.



#### IV. INSTALLING SENSORS

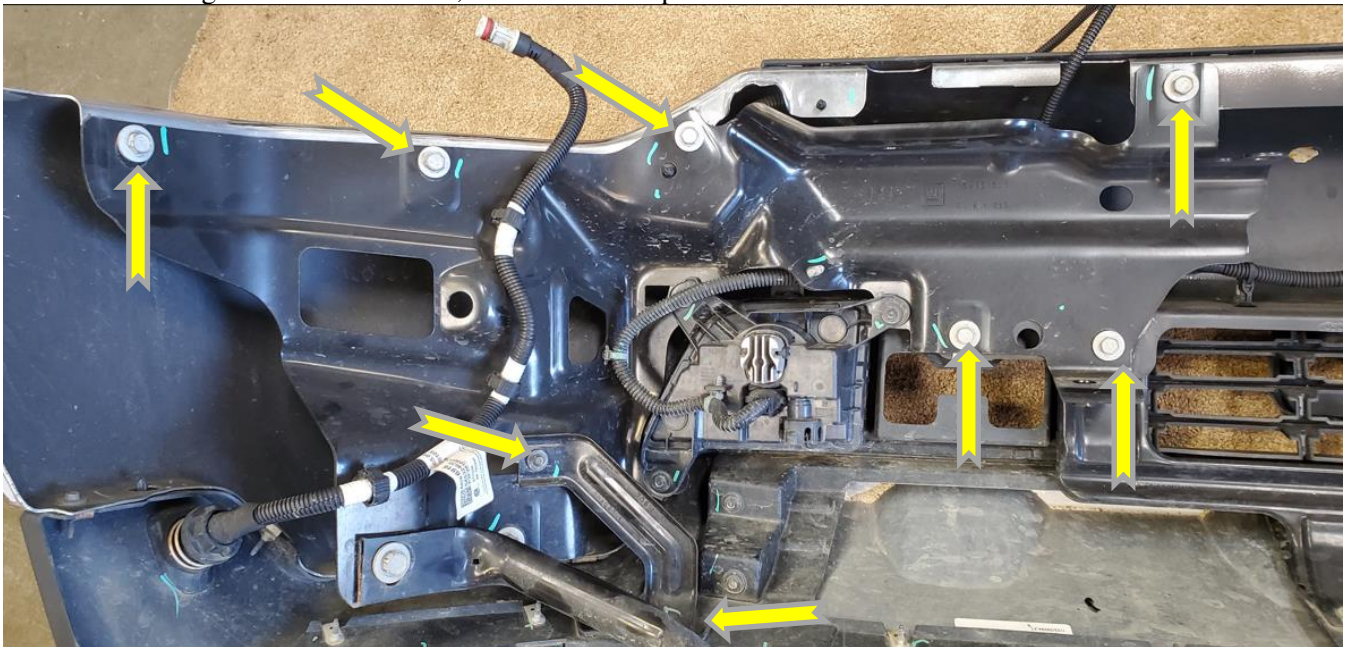
1. Using 15mm socket, remove three bolts attaching bumper side brace to bumper and frame. Remove brace and set aside. (both sides)



- Using an 18mm socket and a 12" extension, remove four bolts attaching bumper to frame. Remove bumper and set aside.



- Using a 13mm and a 7mm, remove the bumper mounts to access the center sensors from behind.



- Remove center two sensors and sensor retainers. Note which side each comes from and the orientation in which they are installed.

5. Plug in the sensor extension harness to the OE harness. Route the extension harness out of the top of the bumper and reinstall the bumper mounts.



6. Reinstall the bumper. (Note: It is easier to remove bolts from tow hooks and bumper mounts for Defender Grille Guard mounts detailed in next section before reinstalling bumper)
7. Install the provided grommets into the grille guard sensor holes. Using a dab of soap, lube the sensor and press it into the grille guard in the same location as it came out the bumper. Install the sensor clip as shown to hold each sensor in.



## V. INSTALLATION OF DEFENDER GRILLE GUARD

1. If installing a single row light bar or winch, install it before mounting grille guard to truck.
2. Trim the plastic on the outside of the tow hooks approximately 3/8" as shown below.



3. Using an 18mm socket and wrench, remove bolts from tow hooks. Remove tow hooks and slide the frame mounts in through the cut from the previous step. Once frame mounts are in position, reinstall the tow hooks and tow hook bolts through the mounts.



4. Using a 13mm wrench, remove top bolt from bumper mount. Install upper frame mount with the notched tab on the OE bumper side.







600-56-1045

5. Reinstall grille, air shroud, hood latch, and headlight valences.
6. Install Defender Grille guard onto truck. The mounts will go to the inside. Use hardware kit #208 to bolt the frame mounts to the Defender Grille Guard. The carriage head will go to the outside.
7. Align grille guard to the truck and tighten all hardware to the suggested torques listed above. If you have sensors installed, plug in sensors. Plugs are provided in install kit to fill holes in square tubing or sensor cutouts (if applicable).



**Congratulations! Your Installation is now complete.**

**Thank You for your purchase!**