

2021-20XX FORD F-150

X SERIES PRE RUNNER BRUSHGUARD

INSTALLATION INSTRUCTIONS



SAFETY

Know safety, no injury. Know injury, no safety. ~Author Unknown

If there are any questions, call 1-855-HHTOUGH

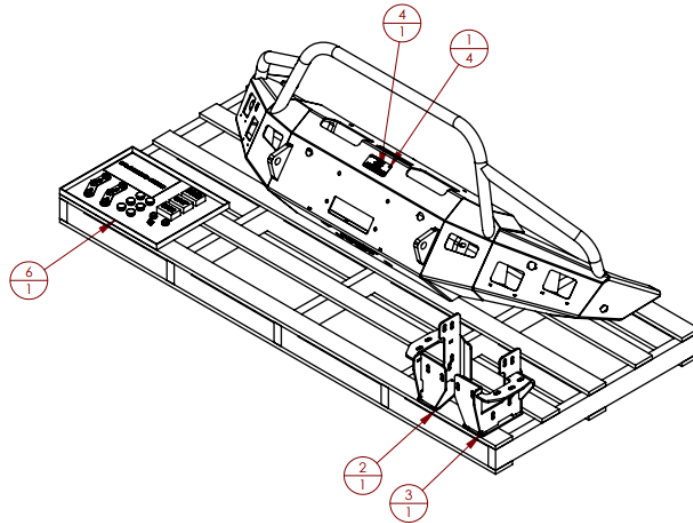
- **READ ALL SAFETY INSTRUCTIONS BEFORE INSTALLATION**
 - FOLLOW ALL INSTRUCTIONS FOR PROPER ASSEMBLY
 - WEAR APPROPRIATE EYE PROTECTION
 - EXERCISE CARE WHEN LIFTING COMPONENTS
 - USE APPROPRIATE TORQUE FOR BOLTS

SUGGESTED TORQUE VALUES FOR STEEL GRADE SAE 5 BOLTS

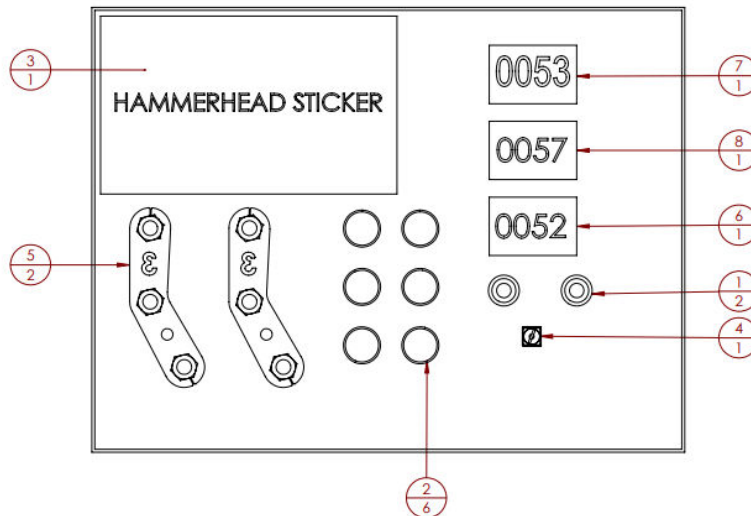
BOLT DIAMETER (INCH)	TREADS PER INCH	TORQUE (POUND-FEET)
1/4	20	7
5/16	18	14
3/8	16	25
7/16	14	40
1/2	13	60
9/16	12	88
5/8	11	120
3/4	10	200
7/8	9	302
1	8	466

I. PARTS LIST

ITEM NO.	QTY	PART NUMBER	DESCRIPTION
1	4	318-12-0005	0.188" X 0.125" AL POP RIVET
2	1	601-56-5733	RIGHT FRAME MOUNT WELDMENT
3	1	601-56-5734	LEFT FRAME MOUNT WELDMENT
4	1	601-56-9992	BLACK HAMMERHEAD LABEL W/ HOLES
5	1	60A-56-1052	600-56-1052 ASSEMBLED
6	1	60H-56-0226	INSTALL KIT #226



ITEM NO.	QTY	PART NUMBER	DESCRIPTION	
1	2	307-13-0132	GROMMET, RUB 0.5"x0.25"x0.81"x1.0"	-
2	6	316-01-0005	1.25" PLUG BT-FLUSH LDPE BLACK	-
3	1	409-01-0125	HAMMERHEAD STICKER	-
4	1	443-01-0086	LICENSE PLATE MOUNTING KIT	-
5	2	601-56-2868	WELDNUT TAB 3	-
6	1	60K-56-0052	HARDWARE KIT #52	-
7	1	60K-56-0053	HARDWARE KIT #53	-
8	1	60K-56-0057	HARDWARE KIT #57	-



REMOVE CONTENTS FROM BOX AND VERIFY ALL PARTS ARE PRESENT.
If there are any questions, call 1-855 HHTOUGH or email HHORDERS@hammerheadarmor.com

II. TOOL LIST

1. Basic tool set
2. Blue masking tape
3. 7mm socket
4. 15mm socket
5. 21mm socket
6. ¾" socket
7. ¾" wrench
8. Trim tool

III. REMOVAL OF BUMPER

1. Disconnect battery.
2. Using blue masking tape, mask along the profile of your truck above the bumper. This will help protect your truck from accidental scratches.
3. Using 7mm socket, remove bolt attaching fenderwell to bumper. (both sides)



4. Unplug the fog lights and adaptive cruise control (if applicable). The harness is located above the right frame rail. Pull up on grey handle to disconnect harness.





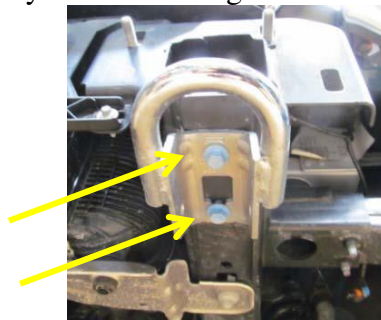
5. Using 21mm socket, remove six nuts attaching OE bumper to frame. (three per side) Remove bumper and set aside.



6. Remove OE tow hook shroud by pulling away from the truck. (Both sides)



7. Using a 15mm socket, remove 2 bolts attaching OE tow hook to frame. Set tow hook aside (both sides). Keep the bolts and nut strips, they will be used again.



8. INSTALLATION OF HAMMERHEAD BUMPER

1. Lay bumper face down on a carpeted surface or a piece of cardboard. Install all lights in bumper with brackets and hardware provided by light manufacturer. Install winch into bumper at this time.
2. Install OE sensor retainers and sensors in HH bumper. Take care to install sensors in the same location as in the OE bumper.

3. Layout frame mounts, OE bolts, OE nut strips, and hardware from install kit as shown:



4. Using carriage head bolts from hardware kit #52 for front frame flange and OE hardware for bottom frame flange, install Hammerhead frame mounts on frame as shown. Do not fully tighten.
NOTE: Install carriage head bolts from the front of the truck.



5. Using a hoist or a few friends, attach bumper to frame mounts using hardware kit 53 and weld nut tabs. Start all bolts before aligning bumper. Align bumper a minimum of ¼” below plastic fascia. When truck flexes off-road, this distance allows your bumper and body to have clearance. Tighten bolts with ¾” socket and wrench. Tighten frame mount bolts at this time.



**Congratulations! Your product installation is now complete.
Thank you for your purchase.**