

ARMOR BOX

INSTALLATION INSTRUCTIONS



SAFETY

Know safety, no injury. Know injury, no safety. ~Author Unknown

If there are any questions, call 1-855-HHTOUGH

- **READ ALL SAFETY INSTRUCTIONS BEFORE INSTALLATION**
 - FOLLOW ALL INSTRUCTIONS FOR PROPER ASSEMBLY
 - WEAR APPROPRIATE EYE PROTECTION
 - EXERCISE CARE WHEN LIFTING COMPONENTS
 - USE APPROPRIATE TORQUE FOR BOLTS
 - BLUE THREAD LOCKING COMPOUND IS RECOMMENDED ON ALL BOLTS

California Proposition 65



WARNING

Cancer and Reproductive Harm

www.P65Warnings.ca.gov

DO NOT PAINT OVER THIS LABEL. REPLACE IF DAMAGED OR LOST



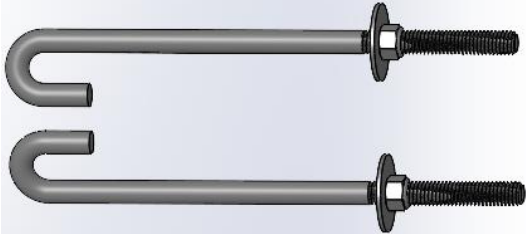
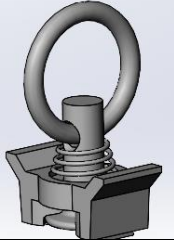
DKB150_00

ARMOR BOX

Suggested Torque Values For Steel Grade 5 Standard Bolts		
BOLT DIAMETER (INCH)	THREADS PER INCH	TORQUE (POUND - FEET)
1/4	20	7
5/16	18	14
3/8	16	25
7/16	14	40
1/2	13	60
9/16	12	88
5/8	11	120
3/4	10	200
7/8	9	302
1	8	466

Suggested Torque Values For Steel Grade 8.8 Metric Bolts		
BOLT DIAMETER (mm)	THREAD PITCH (mm)	TORQUE (POUND-FEET)
6	1.0	7
8	1.25	16
10	1.5	32
12	1.75	55
14	2.0	88
16	2.0	140
18	2.5	195
20	2.5	275
22	2.5	375
24	3.0	475

I. PARTS LIST

<p style="text-align: center;">ARMOR BOX</p> 	<p style="text-align: center;">FOAM ROLL</p> 
<p style="text-align: center;">HARDWARE KIT #166</p>	<p style="text-align: center;">STANDARD L TRACK ATTACHMENTS</p>
	

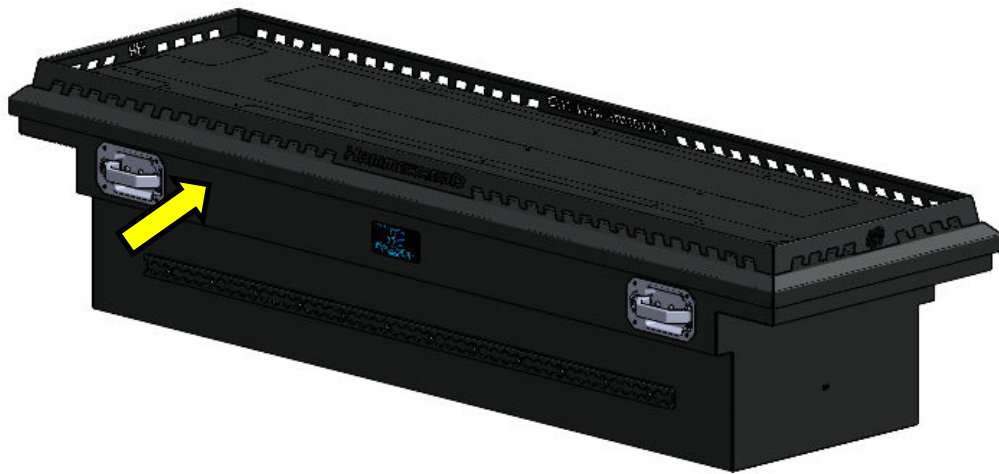
ARMOR BOX

II. TOOL LIST

1. Basic tool set
2. 9/16" deep socket
3. Tape measure
4. Good friend

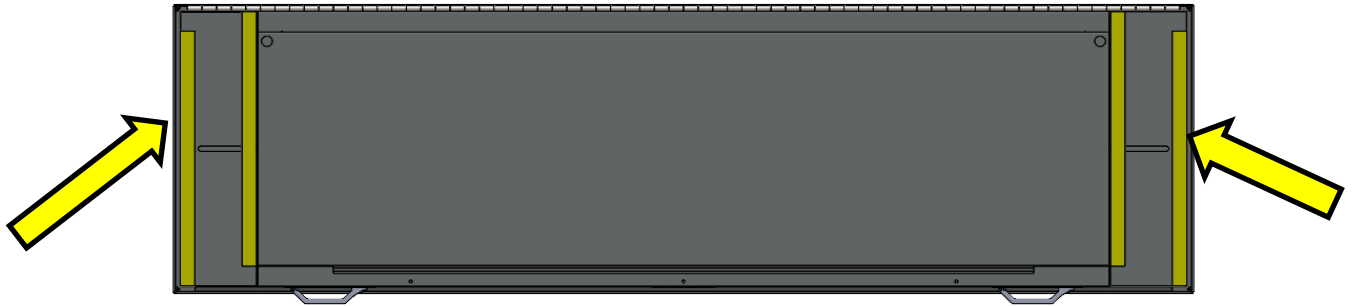
III. INSTALLATION OF ARMOR BOX

1. Once the Armor box has been unpackaged, check the function of the latches and lid before installation. If problems with the lid or latches is present please contact customer service before you install the Armor Box

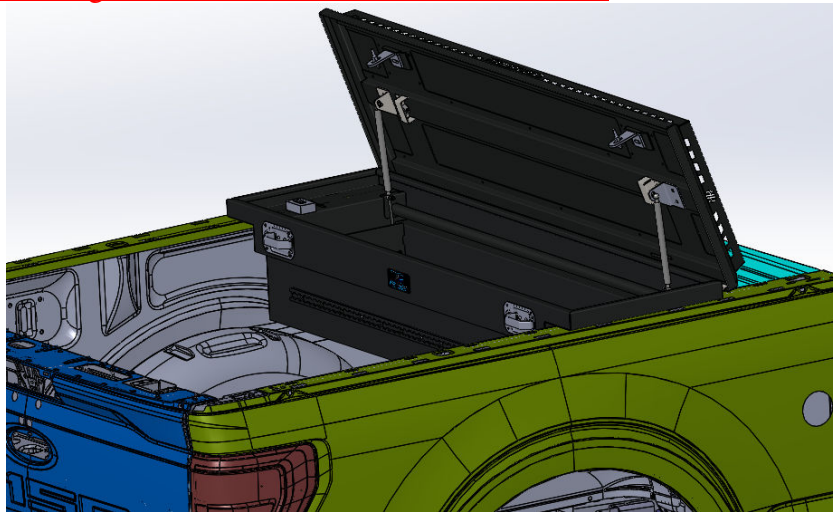


ARMOR BOX

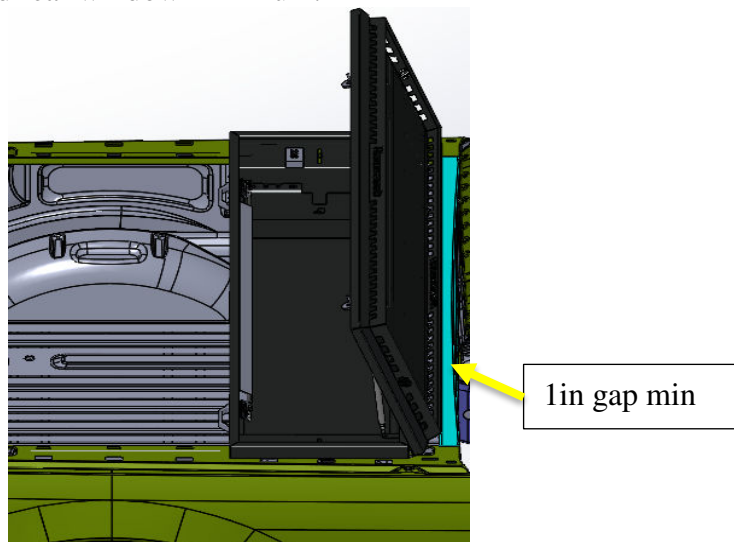
- Using the foam strips found in Install kit #87. Apply foam strips to the underside of the box sides. Where the Armor Box will be resting on the truck bed.



- Next, with help from a friend or a lifting device, place armor box in the truck bed. Do not place the box against the rear windshield of the vehicle.

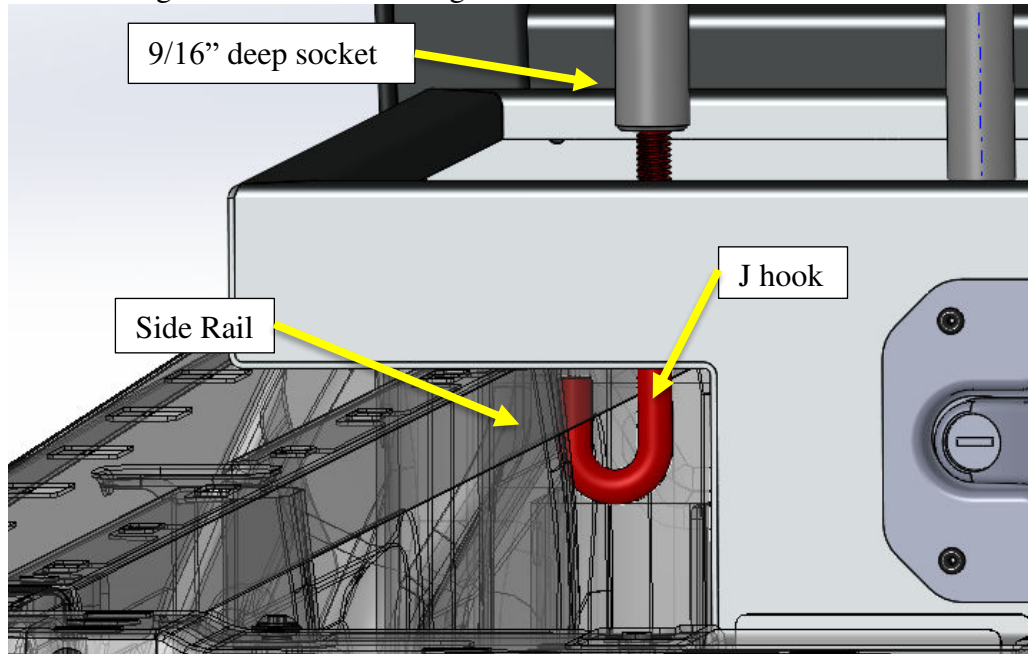


- Open the lid of the armor box, using a tape measure, check for clearance with the back windshield. Do this on both sides of the box to ensure proper fitment. 1in of clearance between the lid rail and rear window minimum.



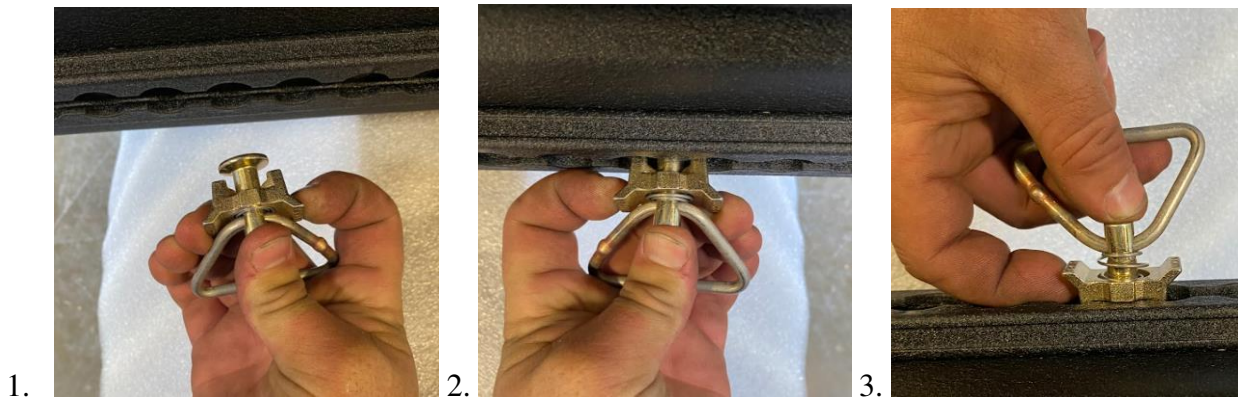
ARMOR BOX

- Using a 9/16 deep socket or wrench install the J hooks from the inside slots on both box sides. Making sure that the J hooks grab under the side rails of the truck bed

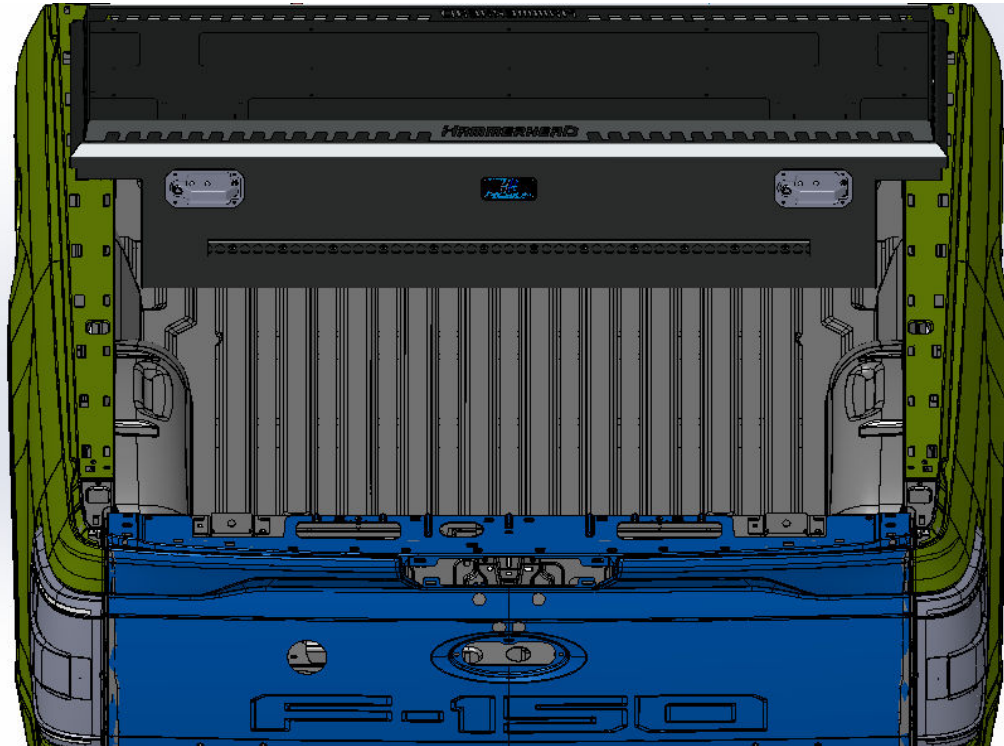


- Install any other Armor Box accessories at this time. See install instructions provided in accessory kits.

- How to install L-track accessories:



ARMOR BOX



Congratulations! Your product installation is now complete.
Thank you for your purchase.