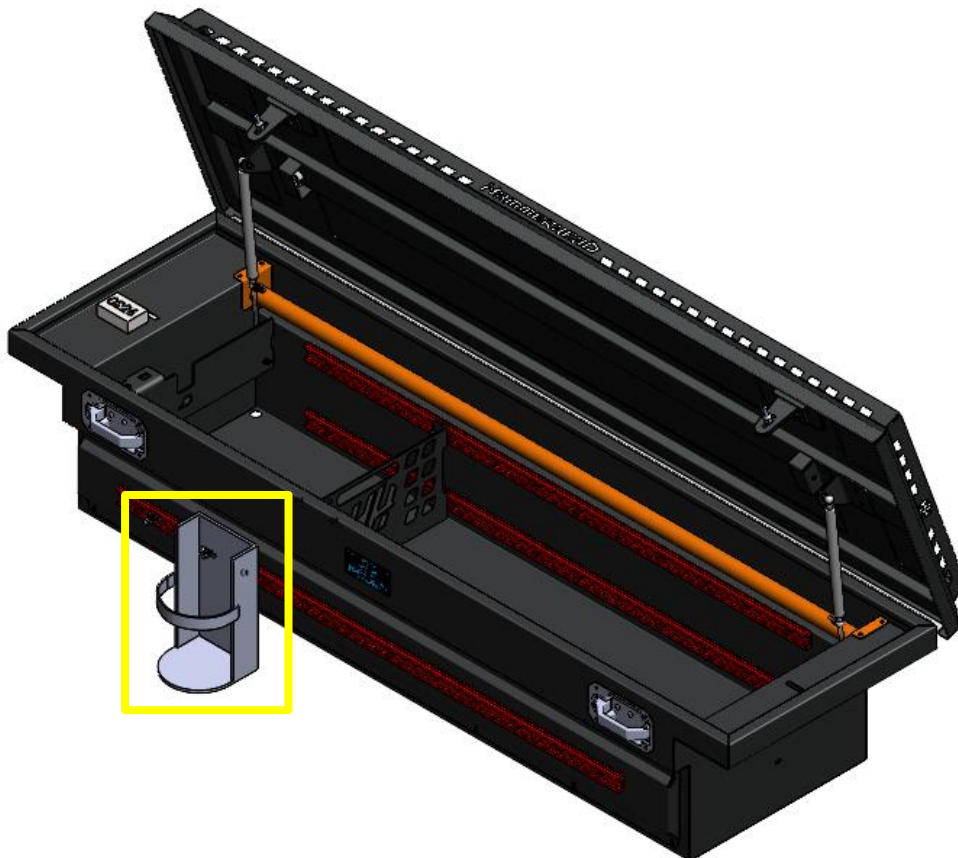




# ARMOR BOX

## FIRE EXTINGUISHER KIT

### INSTALLATION INSTRUCTIONS





# SAFETY

**Know safety, no injury. Know injury, no safety. ~Author Unknown**

If there are any questions, call 1-855-HHTOUGH

**READ ALL SAFETY INSTRUCTIONS BEFORE INSTALLATION**

- FOLLOW ALL INSTRUCTIONS FOR PROPER ASSEMBLY
- WEAR APPROPRIATE EYE PROTECTION
- EXERCISE CARE WHEN LIFTING COMPONENTS
- USE APPROPRIATE TORQUE FOR BOLTS
- RE-TORQUE HARDWARE AT EVERY OIL CHANGE.

BOLT DIAMETER (INCH)	THREADS PER INCH	TORQUE (POUND - FEET)
1/4	20	7
5/16	18	14
3/8	16	25
7/16	14	40
1/2	13	60
9/16	12	88
5/8	11	120
3/4	10	200
7/8	9	302
1	8	466

BOLT DIAMETER (mm)	THREAD PITCH (mm)	TORQUE (POUND-FEET)
6	1.0	7
8	1.25	16
10	1.5	32
12	1.75	55
14	2.0	88
16	2.0	140
18	2.5	195
20	2.5	275
22	2.5	375
24	3.0	475

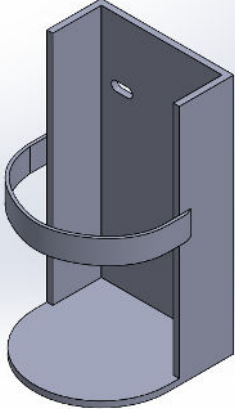
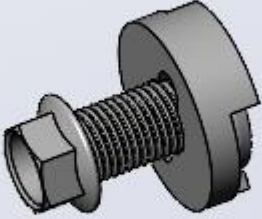


**WARNING: Cancer  
and Reproductive Harm**

[www.P65Warnings.ca.gov](http://www.P65Warnings.ca.gov)

*Note: Brush guard configuration may differ.*

## I. PARTS LIST

ITEM 1	FIRE EXTINGUISHER BRACKET	QTY. 1	ITEM 2	L-TRACK STUD	QTY. 2
					

**REMOVE CONTENTS FROM BOX AND VERIFY ALL PARTS ARE PRESENT.**

If there are any questions, call 1-855 HHTOUGH or email [HHORDERS@hammerheadarmor.com](mailto:HHORDERS@hammerheadarmor.com)

## II. TOOL LIST

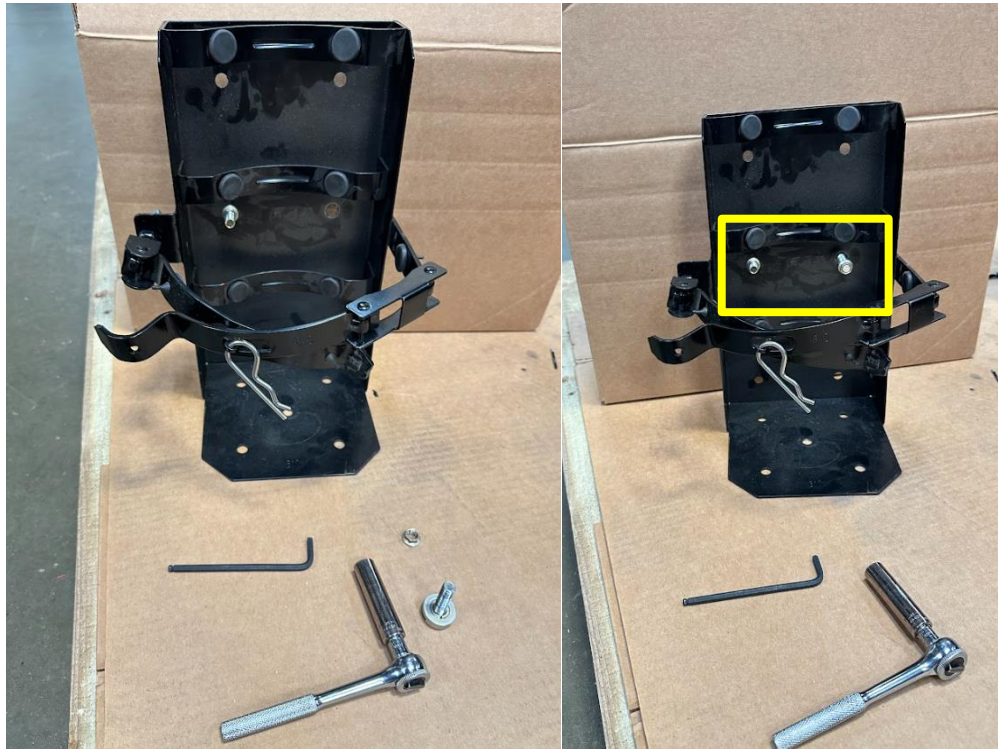
- ✓ A good friend
- ✓ Basic tool set
- ✓ 12mm deep socket
- ✓ 3/16 hex wrench
- ✓ Ratchet

### III. VEHICLE PREPARATION

1. Park vehicle on level surface.
2. Engage parking brake

### IV. INSTALLATION OF HAMMERHEAD TVI BUMPER

1. Pre-install L-track studs using both 443-01-0170 studs, 12mm deep socket, and a 3/16 hex key. Using one of the three mounting location on the back of the fire ex bracket add both studs to the back of the bracket.



2. Next using the same tools as the previous step, tighten the stud nut down about halfway. This will make final install much easier.



3. Next, add the bracket and studs to the front I-track section on your Armor box. Find your desired location. Lock in I-track studs. Tighten stud nuts with 12mm deep socket.



4. Add fire extinguisher, bracket band may need adjusting if fire extinguisher is loose in bracket. Make sure to remember the cotter pin in the bracket band to make sure fire extinguisher stays secure during travel.

**Congratulations! Your product installation is now complete.  
Thank you for your purchase!**