



 HammerheadArmor  Hammerheadarmor  HammerheadOff-RoadArmor

ARMOR BOX L TRACK KIT INSTALLATION INSTRUCTIONS



SAFETY

Know safety, no injury. Know injury, no safety. ~Author Unknown

If there are any questions, call 1-855-HHTOUGH

READ ALL SAFETY INSTRUCTIONS BEFORE INSTALLATION

- FOLLOW ALL INSTRUCTIONS FOR PROPER ASSEMBLY
- WEAR APPROPRIATE EYE PROTECTION
- EXERCISE CARE WHEN LIFTING COMPONENTS
- USE APPROPRIATE TORQUE FOR BOLTS
- RE-TORQUE HARDWARE AT EVERY OIL CHANGE.

Suggested Torque Values For Steel Grade 5 Standard Bolts

BOLT DIAMETER (INCH)	THREADS PER INCH	TORQUE (POUND - FEET)
1/4	20	7
5/16	18	14
3/8	16	25
7/16	14	40
1/2	13	60
9/16	12	88
5/8	11	120
3/4	10	200
7/8	9	302
1	8	466

Suggested Torque Values For Steel Grade 8.8 Metric Bolts

BOLT DIAMETER (mm)	THREAD PITCH (mm)	TORQUE (POUND-FEET)
6	1.0	7
8	1.25	16
10	1.5	32
12	1.75	55
14	2.0	88
16	2.0	140
18	2.5	195
20	2.5	275
22	2.5	375
24	3.0	475

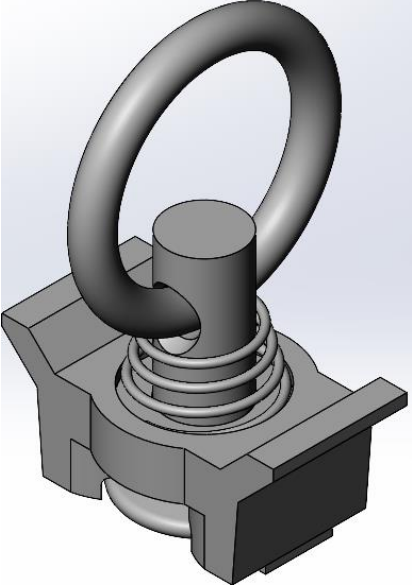
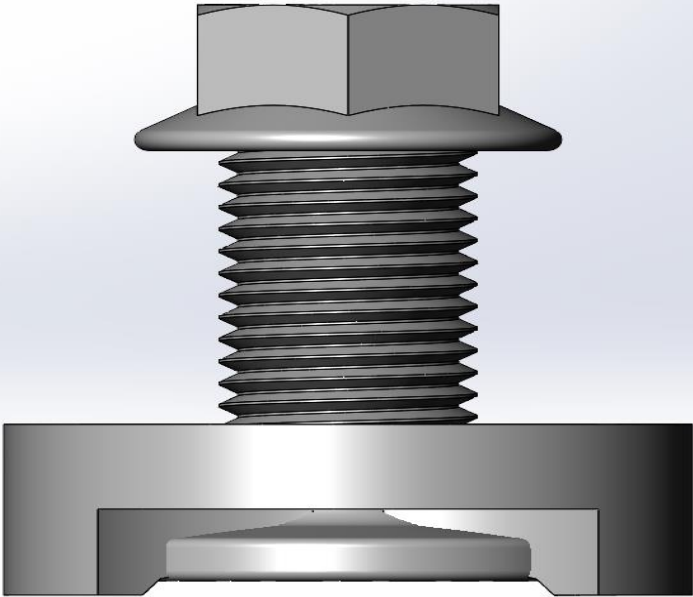
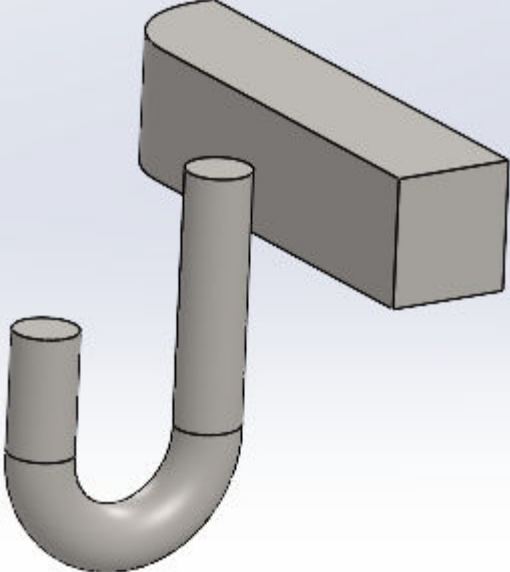


**WARNING: Cancer
and Reproductive Harm**

www.P65Warnings.ca.gov

Note: Brush guard configuration may differ.

I. PARTS LIST

ITEM 1	TIE DOWN RING	QTY. 1	ITEM 2	THREADED STUD	QTY. 2
					
ITEM 3	LARGE HOOK	QTY. 1			
					

REMOVE CONTENTS FROM BOX AND VERIFY ALL PARTS ARE PRESENT.

If there are any questions, call 1-855 HHTOUGH or email HHORDERS@hammerheadarmor.com

II. TOOL LIST

- ✓ A good friend
- ✓ Basic Tool Set
- ✓ 12mm Deep Socket
- ✓ 3/16 Hex Wrench

III. VEHICLE PREPARATION

1. Park vehicle on level surface.
2. Engage parking brake

IV. INSTALLATION OF ARMOR BOX L TRACK KIT

1. Find the L Track on the front face of the Armor Box. For the Tie down ring and large hook, installation will be identical. Depress the plunger in the center of the tie down ring as shown below.



2. Next, fit the plunger into one of the circular opening on the L track at the desired location.



3. Finally, once the L track attachment is in the desired location. Release the plunger, this will allow the attachment to lock into place.



4. For the Threaded stud attachments, the application is the same as the tie down ring and large hook, except you will need a 12mm deep socket and ratchet to complete install.



**Congratulations! Your product installation is now complete.
Thank you for your purchase!**