

2010-20XX NISSAN TITAN

REAR BUMPER INSTALLATION INSTRUCTIONS



SAFETY

Know safety, no injury. Know injury, no safety. ~Author Unknown

- **READ ALL SAFETY INSTRUCTIONS BEFORE INSTALLATION**
 - FOLLOW ALL INSTRUCTIONS FOR PROPER ASSEMBLY
 - WEAR APPROPRIATE EYE PROTECTION
 - EXERCISE CARE WHEN LIFTING COMPONENTS
 - USE APPROPRIATE TORQUE FOR BOLTS
 - BLUE THREAD LOCKING COMPOUND IS RECOMMENDED ON ALL BOLTS
- SUGGESTED TORQUE VALUES FOR STEEL GRADE SAE 5 BOLTS

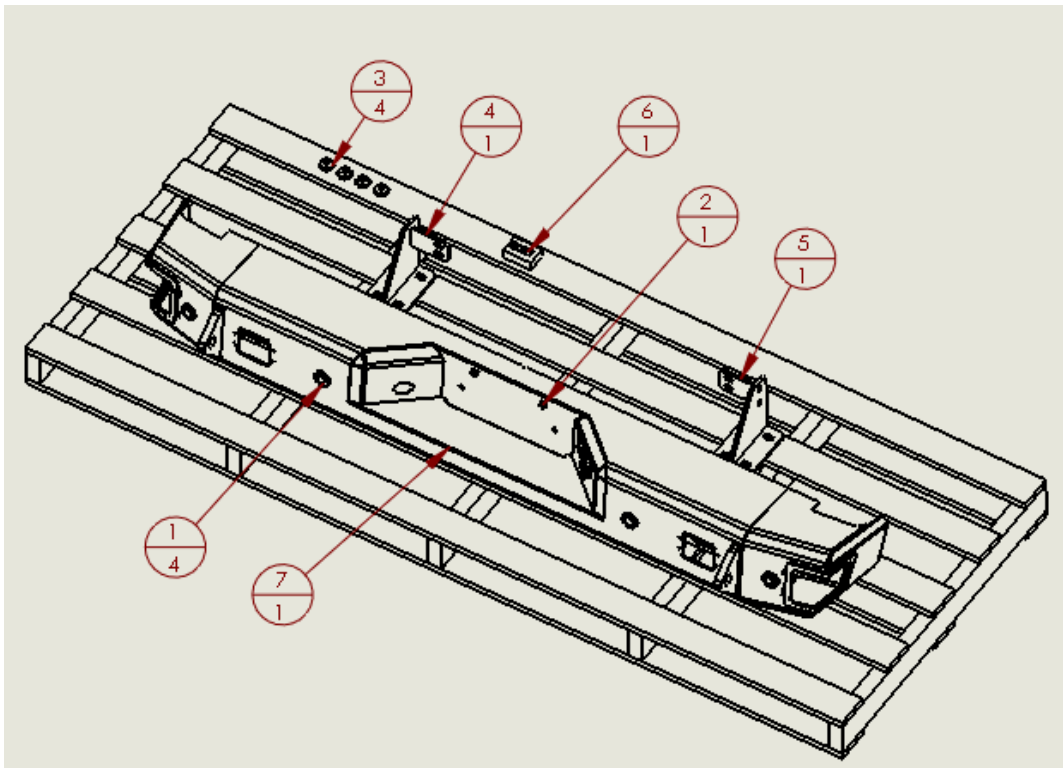
BOLT DIAMETER (INCH)	TREADS PER INCH	TORQUE (POUND-FEET)
1/4	20	7
5/16	18	14
3/8	16	25
7/16	14	40
1/2	13	60
9/16	12	88
5/8	11	120
3/4	10	200
7/8	9	302
1	8	466



2010-20XX Nissan Titan Rear

I. PARTS LIST

ITEM NO.	QTY	PART NUMBER	DESCRIPTION	
1	4	307-13-0349	7/8"ID-0.188" PANEL-1.25" HOLE	-
2	1	443-01-0086	LICENSE PLATE MOUNTING KIT	-
3	4	601-56-2316	OUTSIDE PLUG	-
4	1	601-56-2386	LEFT FRAME MOUNT WELDMENT	-
5	1	601-56-2387	RIGHT FRAME MOUNT WELDMENT	-
6	1	60K-56-0001	HARDWARE KIT #1	-
7	1	60P-56-0540	600-56-0540 POLISHED	-



II. TOOL LIST

1. 3/4" wrench
2. 3/4" socket
3. Phillips head screwdriver
4. 18mm socket
5. 17mm socket



2010-20XX Nissan Titan Rear

III. REMOVAL OF OEM BUMPER

1. Using a Phillips head screwdriver, remove license plate.
2. Unplug OEM park assist sensors and license plate wiring harness plugs.



3. Using an 18mm socket, remove lower bolt from receiver hitch. This bolt holds on the lower portion of the OEM bumper shell. (both sides)





2010-20XX Nissan Titan Rear

4. Using an 18mm socket, remove upper nut from receiver hitch. This bolt holds on the upper portion of the OEM bumper shell. (both sides)



5. Using a 17mm socket, remove two bolts from bottom of receiver hitch. (both sides)





2010-20XX Nissan Titan Rear

6. Stand behind truck and rotate bottom of bumper up and away from the truck and lift up on bumper shell. Set OEM bumper shell aside.



IV. INSTALLATION OF HAMMERHEAD BUMPER

1. Remove license plate lights and sensors from OEM bumper shell and place in Hammerhead bumper. If your bumper does not have sensors, place plastic plugs in bumper.
2. Using 17mm socket, install Hammerhead frame mount weldments using OEM bolts. (both sides)





2010-20XX Nissan Titan Rear

3. Using $\frac{3}{4}$ " wrench and socket, install Hammerhead bumper with Hardware kit #1.



CONGRATULATIONS!

Installation of your Hammerhead rear bumper is complete!