

HAMMERHEAD 85" ROOF RACK ASSEMBLY INSTRUCTIONS

ROOF RACK ASSEMBLY INSTRUCTIONS



SAFETY

Know Safety, no injury. Know injury, no safety. ~Author Unknown
If there are any questions, call 1-855-HHTOUGH

- **READ ALL SAFETY INSTRUCTIONS BEFORE INSTALLATION**
 - FOLLOW ALL INSTRUCTIONS FOR PROPER ASSEMBLY
 - WEAR APPROPRIATE EYE PROTECTION
 - EXERCISE CARE WHEN LIFTING COMPONENTS
 - USE APPROPRIATE TORQUE FOR BOLTS
 - BLUE THREAD LOCKING COMPOUND IS RECOMMENDED ON ALL BOLTS

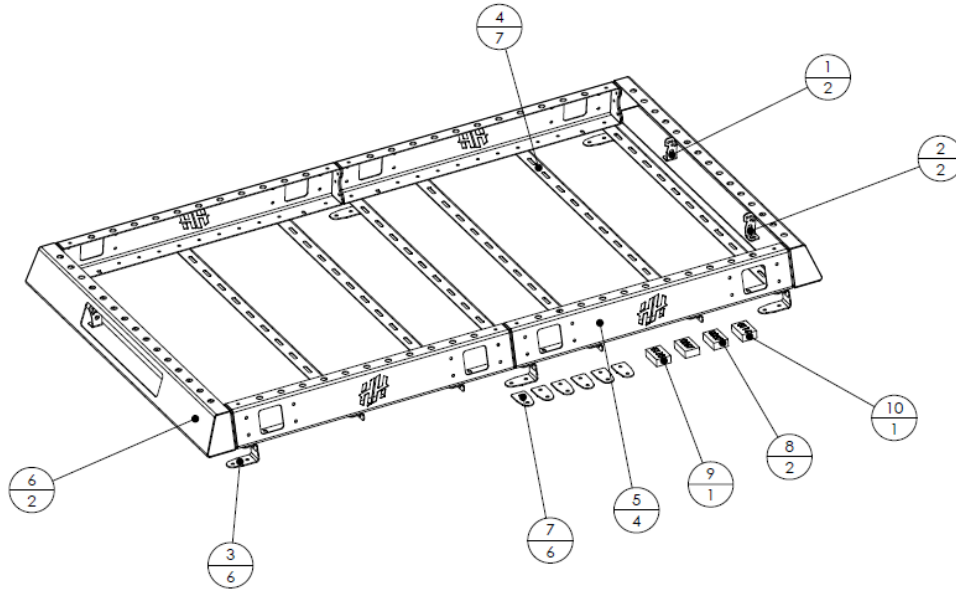
SUGGESTED TORQUE VALUES FOR STEEL GRADE SAE 5 BOLTS

BOLT DIAMETER (INCH)	TREADS PER INCH	TORQUE (POUND-FEET)
1/4	20	7
5/16	18	14
3/8	16	25
7/16	14	40
½	13	60
9/16	12	88
5/8	11	120
¾	10	200
7/8	9	302
1	8	466



600-56-0638

I. PARTS LIST



ITEM NO.	QTY	PART NUMBER	DESCRIPTION	
1	2	601-56-2958	RIGHT BAR MOUNT	-
2	2	601-56-2959	LEFT BAR MOUNT	-
3	6	601-56-3218	MOUNT 1	-
4	7	601-56-3219	FORMED INTERNAL RAIL 1	-
5	4	601-56-3222	48 INCH SIDE WELDMENT	-
6	2	601-56-3225	20 INCH BAR MOUNT END CAP	-
7	6	601-56-3606	FOAM 1	-
8	2	60K-56-0057	HARDWARE KIT #57	-
9	1	60K-56-0112	HARDWARE KIT #112	-
10	1	60K-56-0114	HARDWARE KIT #114	-

REMOVE CONTENTS FROM BOX AND VERIFY ALL PARTS ARE PRESENT.

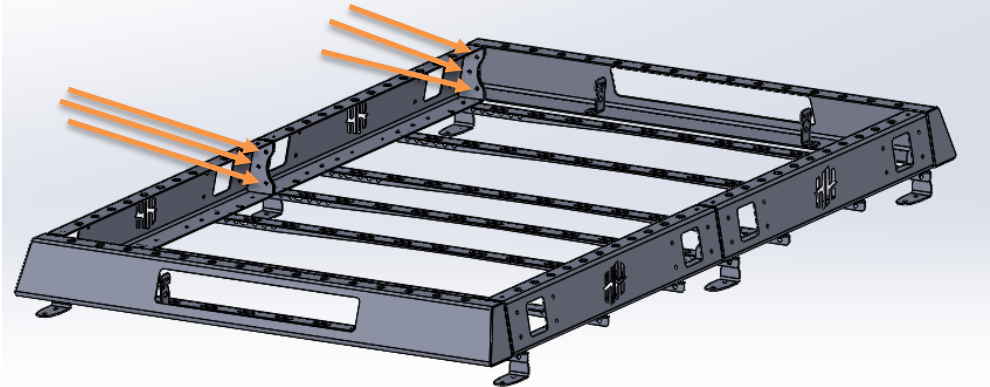
If there are any questions, call 1-855 HHTOUGH or email HHORDERS@hammerheadarmor.com

II. TOOL LIST

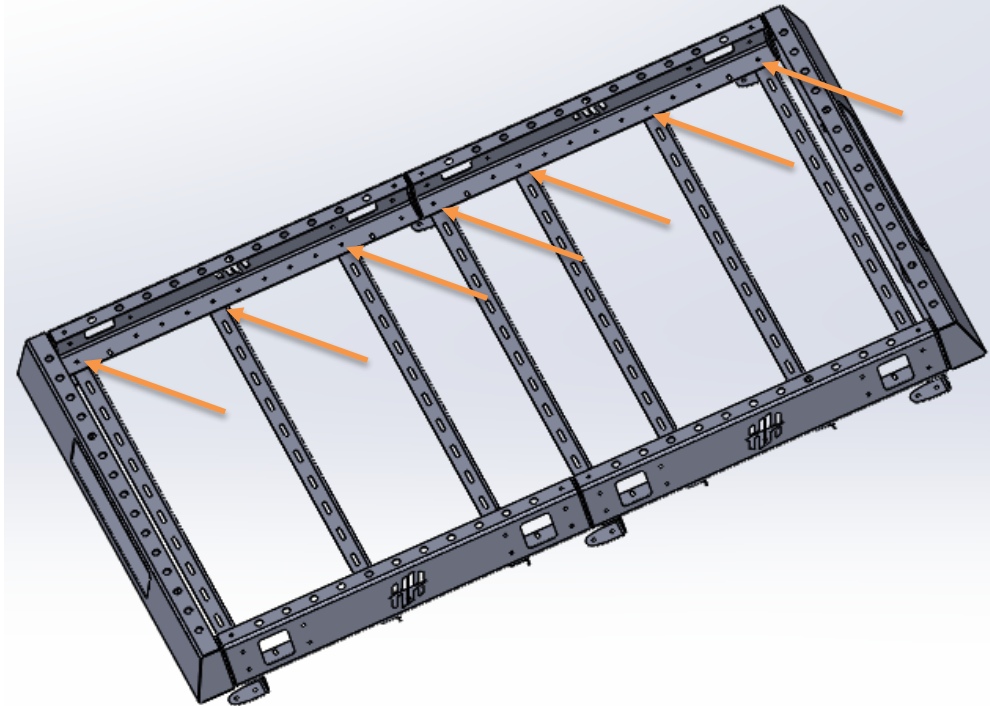
1. A Good Friend
2. Basic Tool Kit
3. Torx 40 socket
4. 13mm wrench
5. 7/16 wrench
6. 7/16 socket

III. ROOF RACK ASSEMBLY

1. Attach the 4 sides together and then to the front and back of the roof rack. There are 3 bolt locations at each joint. (shown) Using the torx 40 socket and the 13mm wrench install 18 bolts, washers and nuts from hardware kit #112. **DO NOT TIGHTEN YET**



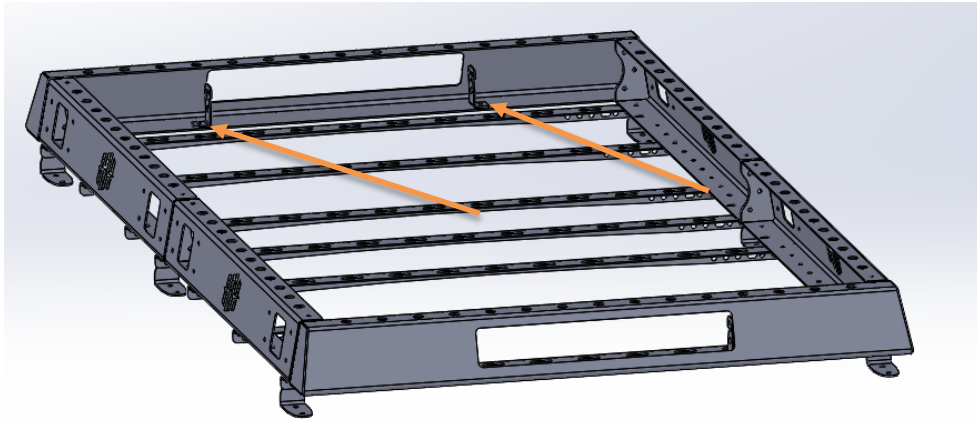
2. Using the torx 40 socket and the 13mm wrench install the remaining 14 bolts, nuts, and washers from hardware kit #112 to attach the cross braces on each side. (1 side shown below) Make sure to have the lip of the cross brace to the back of the roof rack. Square the roof rack and tighten all bolts.



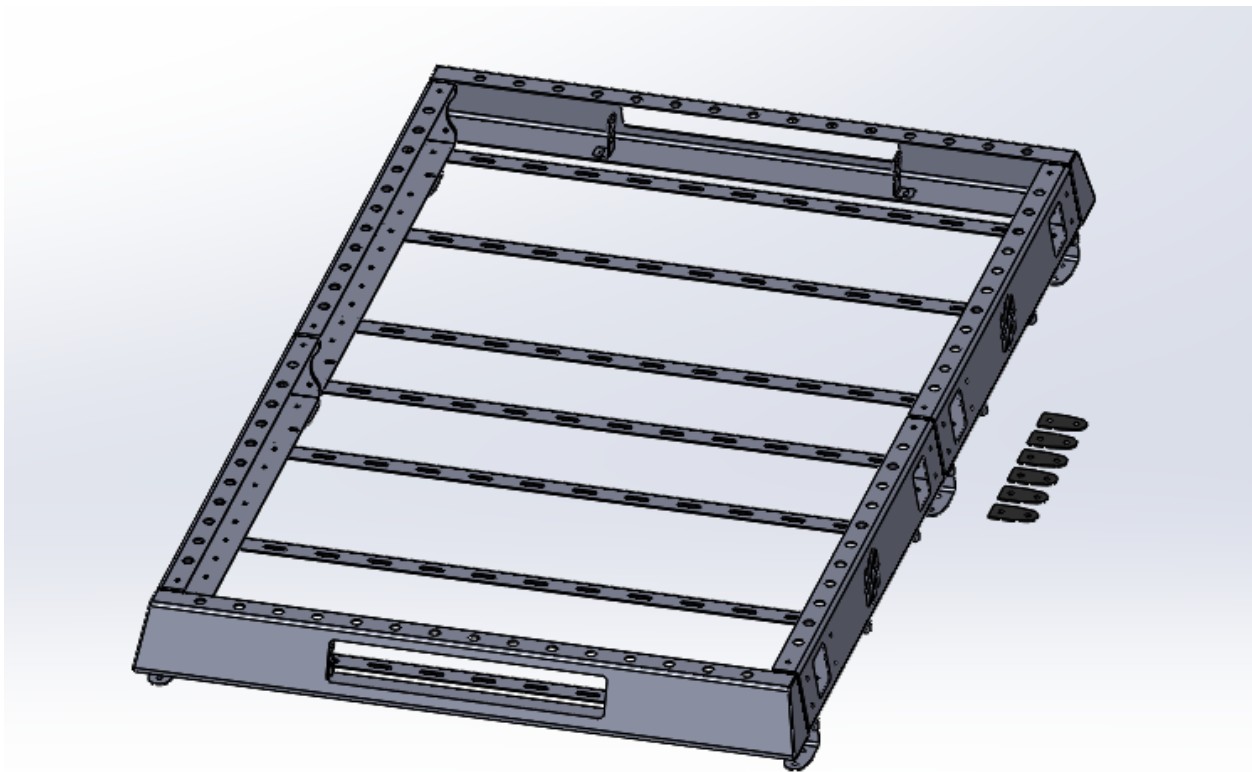


600-56-0638

3. Use the 7/16 socket and 7/16 wrench and the bolts from hardware kit 57 to install the 4 light brackets on the front and back of the roof rack as shown.



4. Use hardware kit #114 to install to your vehicle as you see fit.



**Congratulations! Your Assembly is now complete.
Thank You for your purchase!**