

2002-2009 DODGE 2500 QUAD CAB 2002-2008 DODGE 1500 QUAD CAB BED ACCESS, 8' BED

RUNNING BOARD INSTALLATION INSTRUCTIONS



SAFETY

Know Safety, no injury. Know injury, no safety. ~Author Unknown

If there are any questions, call 1-855-HHTOUGH

- **READ ALL SAFETY INSTRUCTIONS BEFORE INSTALLATION**
 - FOLLOW ALL INSTRUCTIONS FOR PROPER ASSEMBLY
 - WEAR APPROPRIATE EYE PROTECTION
 - EXERCISE CARE WHEN LIFTING COMPONENTS
 - USE APPROPRIATE TORQUE FOR BOLTS
 - BLUE THREAD LOCKING COMPOUND IS RECOMMENDED ON ALL BOLTS

SUGGESTED TORQUE VALUES FOR STEEL GRADE SAE 5 BOLTS

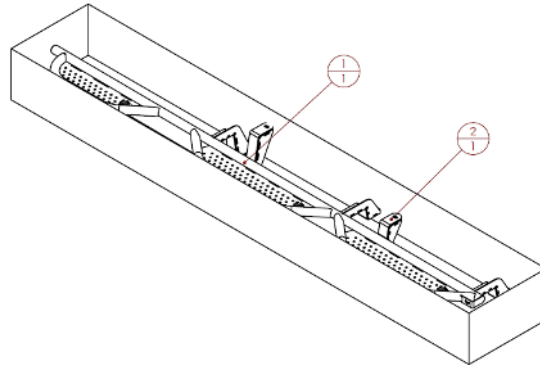
BOLT DIAMETER (INCH)	TREADS PER INCH	TORQUE (POUND-FEET)
1/4	20	7
5/16	18	14
3/8	16	25
7/16	14	40
1/2	13	60
9/16	12	88
5/8	11	120
3/4	10	200
7/8	9	302
1	8	466



600-56-0796

I. PARTS LIST

ITEM NO.	QTY	PART NUMBER	DESCRIPTION	
1	1	60P-56-0796	LEFT RUNNING BOARD	-
2	1	60P-56-0797	RIGHT RUNNING BOARD	-



REMOVE CONTENTS FROM BOX AND VERIFY ALL PARTS ARE PRESENT.

If there are any questions, call 1-855 HHTOUGH or email HHORDERS@hammerheadarmor.com

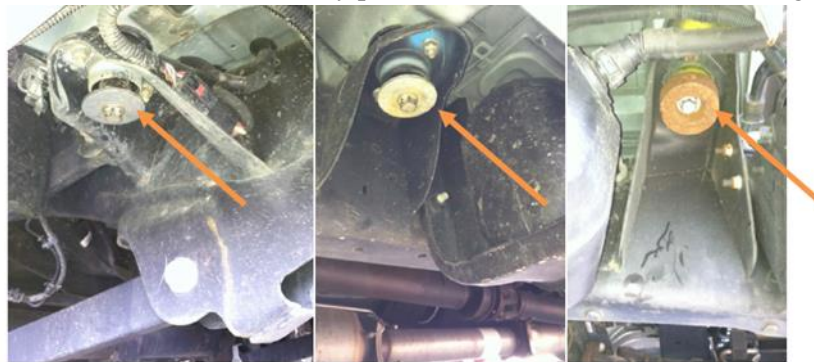
II. TOOL LIST

1. A Good Friend
2. Basic Tool Kit
3. 18mm Socket

III. VEHICLE PREPARATION

1. Park vehicle on level surface and engage parking brake.
2. Remove any existing running boards from your vehicle.
3. Using an 18mm socket, remove the three cab mount bolts (both sides).

Note: The front mount usually pours water out when the bolt is being removed



Front mount

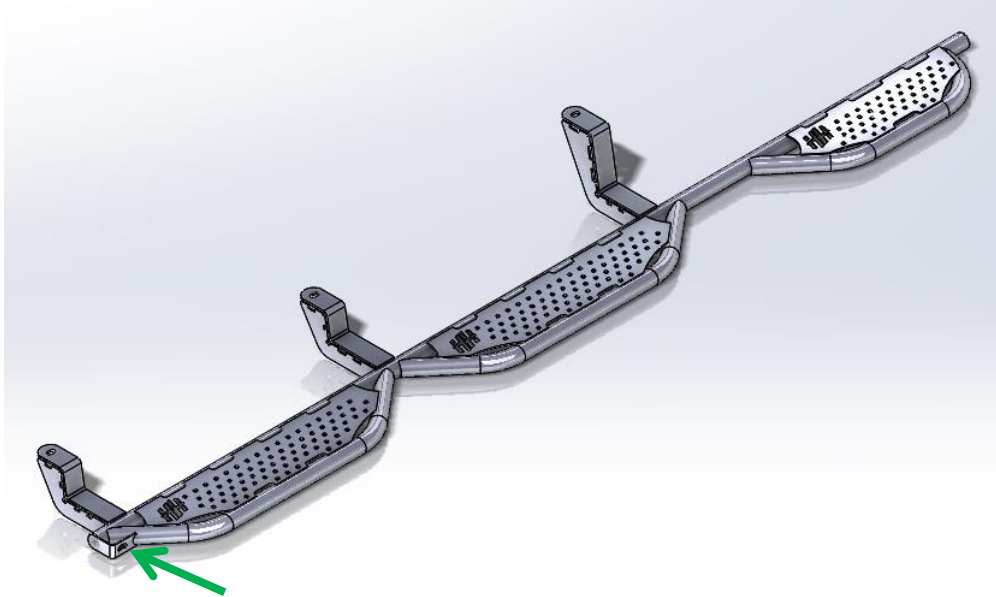
Middle mount

Rear mount

Note: Some trucks will have a cast metal dampener on the rear mount. It will not be reused.

IV. RUNNING BOARD INSTALLATION

1. Identify the left running board. It will have a bottle opener (arrow) on the left side.



2. Have a good friend help you hold the running board up to the mounts.
3. Replace and tighten all OEM hardware. Installation of the left running board is now complete.
4. Follow the same procedure for the right side of the vehicle.

**Congratulations! Your Installation is now complete.
Thank You for your purchase!**