

JEEP JL 2018 - 20XX

RAVAGER FRONT FLARE INSTALLATION INSTRUCTIONS



SAFETY

Know Safety, no injury. Know injury, no safety. ~Author Unknown

If there are any questions, call 1-855-HHTOUGH

- **READ ALL SAFETY INSTRUCTIONS BEFORE INSTALLATION**
 - FOLLOW ALL INSTRUCTIONS FOR PROPER ASSEMBLY
 - WEAR APPROPRIATE EYE PROTECTION
 - EXERCISE CARE WHEN LIFTING COMPONENTS
 - USE APPROPRIATE TORQUE FOR BOLTS
 - BLUE THREAD LOCKING COMPOUND IS RECOMMENDED ON ALL BOLTS

SUGGESTED TORQUE VALUES FOR STEEL GRADE SAE 5 BOLTS

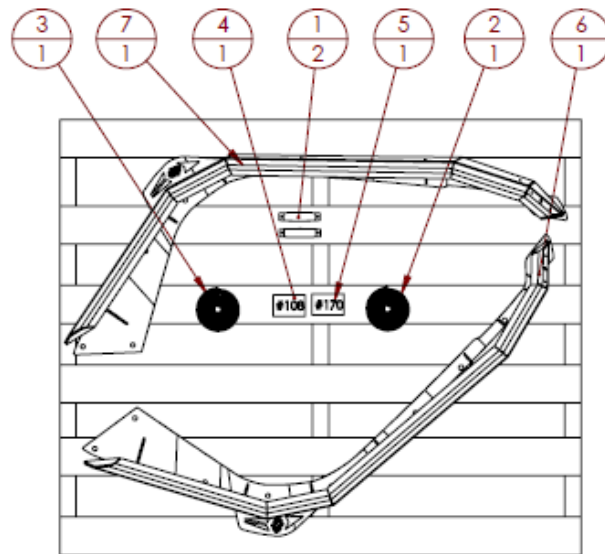
BOLT DIAMETER (INCH)	TREADS PER INCH	TORQUE (POUND-FEET)
1/4	20	7
5/16	18	14
3/8	16	25
7/16	14	40
1/2	13	60
9/16	12	88
5/8	11	120
3/4	10	200
7/8	9	302
1	8	466



600-56-0829

I. PARTS LIST

ITEM NO.	QTY.	PART NUMBER	DESCRIPTION
1	2	307-13-0802	ZILLA 3"X.75" LIGHT AMBER
2	1	601-56-3744	3048MM LENGTH FOAM ROLL
3	1	601-56-4483	3048MM LENGTH EDGE TRIM
4	1	60K-56-0108	HARDWARE KIT #108
5	1	60K-56-0170	HARDWARE KIT #170
6	1	60P-56-0829	FRONT LEFT FLARE
7	1	60P-56-0830	FRONT RIGHT FLARE



REMOVE CONTENTS FROM BOX AND VERIFY ALL PARTS ARE PRESENT.

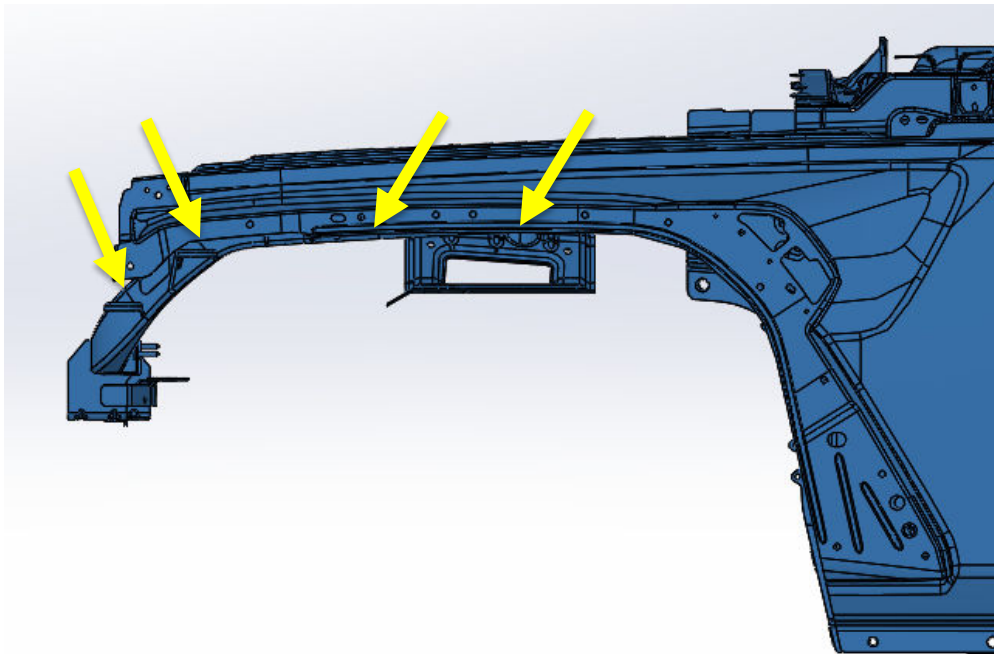
If there are any questions, call 1-855 HHTOUGH or email HHORDERS@hammerheadarmor.com

II. TOOL LIST

1. A Good Friend
2. Basic Tool Kit
3. Torx 40 socket
4. Torx 30 socket
5. 13mm wrench
6. 9/16" drill bit (step bit works best)
7. 6mm socket
8. Phillips head screw driver
9. 10mm wrench
10. 13mm socket
11. 17mm wrench

III. VEHICLE PREPARATION

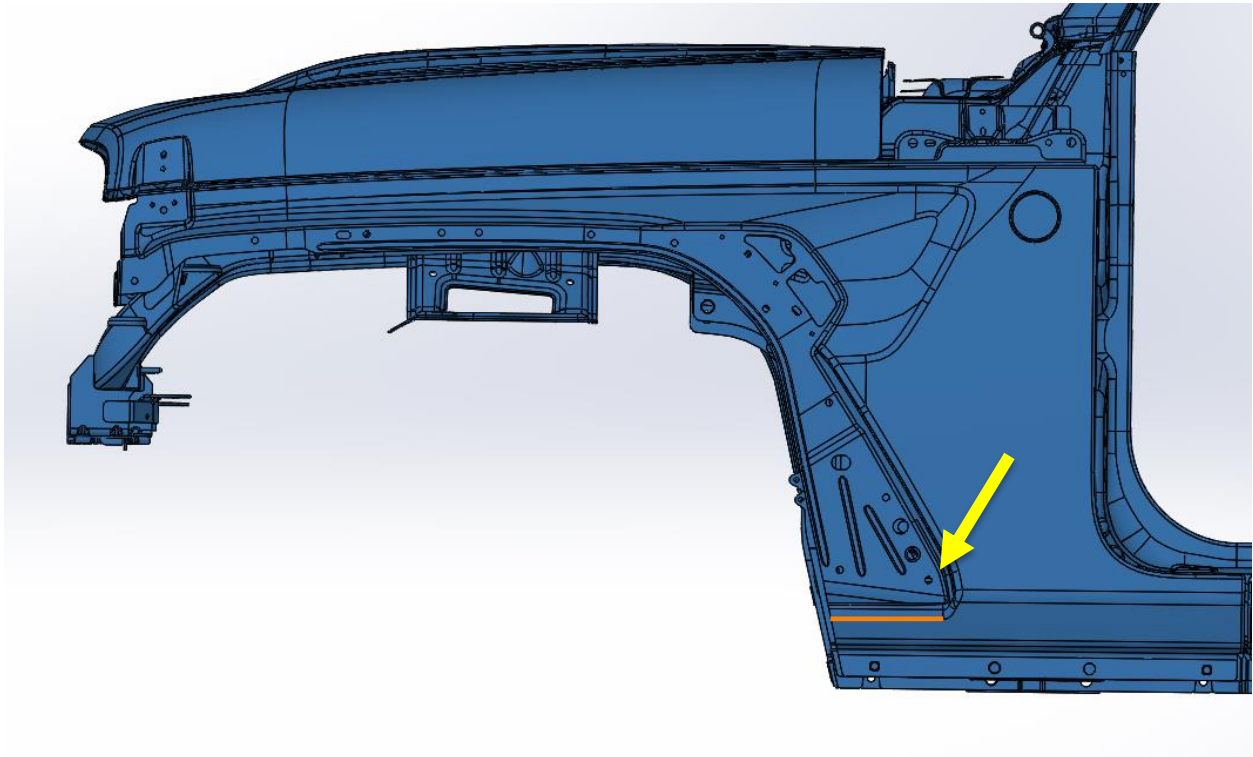
1. Park vehicle on level surface and engage parking brake.
2. Using the 10mm socket, remove the 6 bolts in the inner fender of your front flare.
3. Pull the front flare outward and away from the body of the Jeep to remove it. It is designed with plastic clips that will detach when pulled. **MAKE SURE TO UNPLUG THE LIGHTS IN THE FLARE BEFORE YOU PULL IT TOO FAR FROM THE VEHICLE.**
4. Disassemble the front flare to get the wiring harness. There are 3 lights attached to the harness. Mark which one is the blinker for later use.
5. You will need to remove the 4 OE flare braces shown below. Being very careful not to damage any other part of the Jeep.



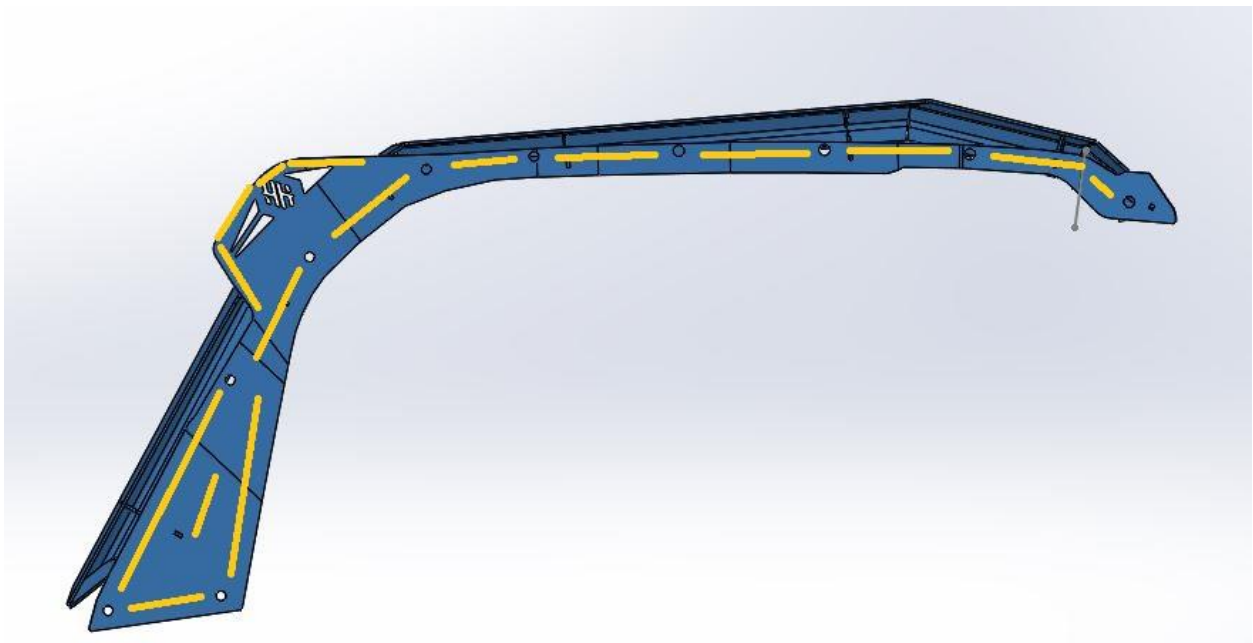
6. Do this for both sides.

IV. RAVAGER REAR FLARE INSTALLATION

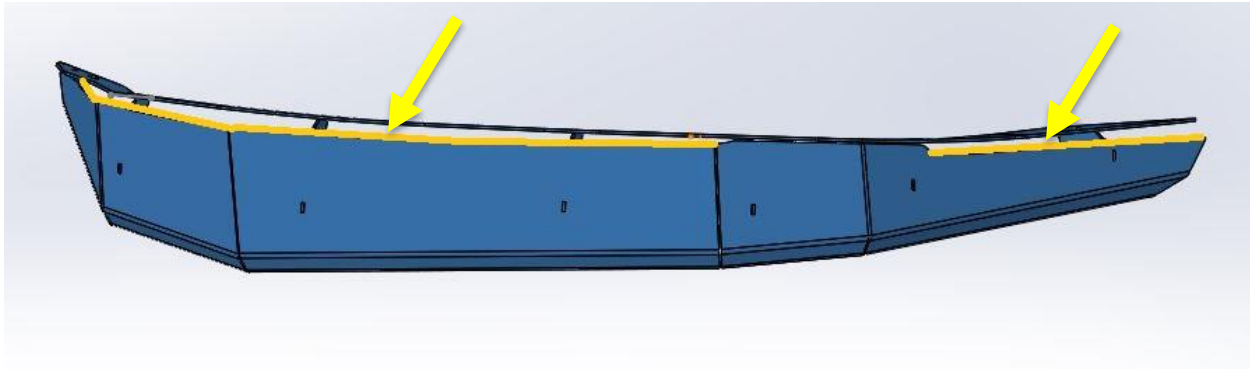
1. Using the step bit drill out the indicated hole to 9/16"



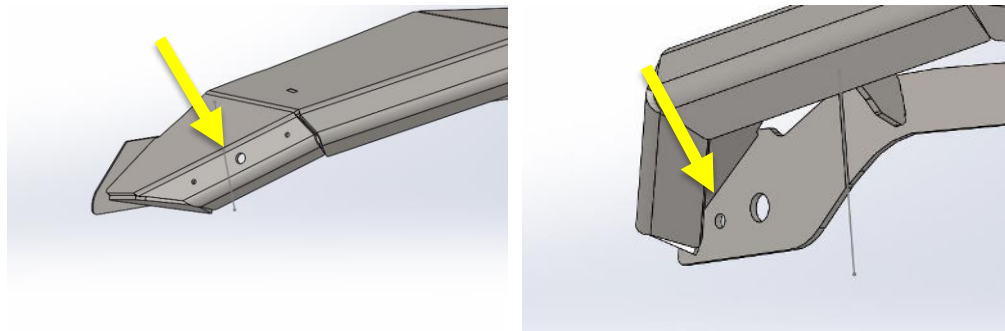
2. Install the provided 8mm nutserts in the previously shown location. (follow nutsert instructions on page 5)
3. Install the foam on the back of the flare as shown. Use 5ft total for each side.



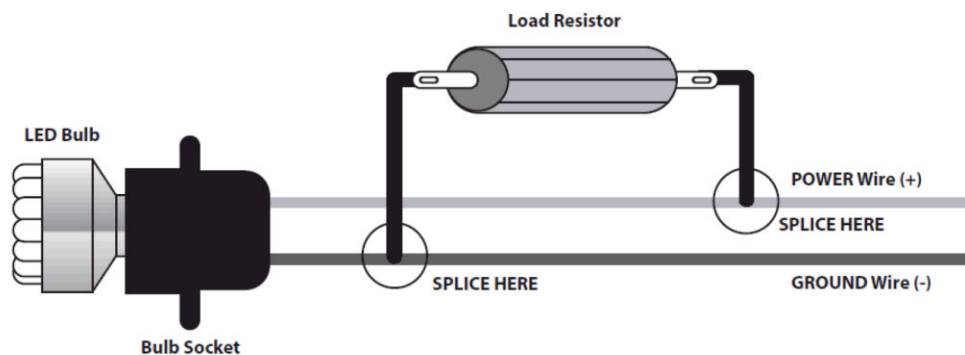
4. Cut the provided edge trim to fit and place it on the edge of the flare as shown



5. Using 1 of the provided 8mm Torx 40 bolts in the previously placed nutsert, one hex head 8mm bolt, washer, and nylock nut in the very front location, and eight 8mm Torx 40 bolts, 8 washers, and 8 nylock nuts in the other locations on the flare install the flare on the Jeep. Tighten all bolts with the torx 40 socket, 13mm socket, and the 13mm wrench.
6. Install the provided light on the front of the flare in the location shown Use the hardware provided with the light or replace the zinc screw with the provided black 3mm screw from hardware kit #174. Use the Phillips head screwdriver and 6mm socket to tighten the light hardware. There is a hole in the front of the flare backing plate to route the wires through.



7. Wire the provided resistor in between the new led turn signal and the OE wiring harness you pulled from the flare, as shown.





600-56-0829

8. Do this for both sides.

V. NUTSERT INSTALLATION

- a. Take your time. Nutsert installation is not difficult if you take your time and use proper tools.
- b. The picture below shows the provided nutsert tool and how to assemble it. (Hardware kit #108)



- c. Start by drilling a pilot hole, using a 1/8" drill bit.
- d. After drilling the pilot hole use a 9/16" drill bit to drill out the final hole size. A step drill bit works much better than a standard 9/16.



- e. Once you have the hole drilled, thread the nutsert onto the nutsert tool and insert into the hole.
- f. Turn the 13mm wrench while holding the nut with the 17mm wrench until the nutsert is installed. (4 rotations of the 13mm is roughly how tight it should be for install. You could mark the socket or bolt to know how many rotations you have made.)



- g. Overtightening the nutsert will make it fail. Make sure not to do this.



600-56-0829



**Congratulations! Your Installation is now complete.
Thank You for your purchase!**