

2018 – 20XX JEEP JL FRONT INNER FENDERS

ASSEMBLY AND INSTALLATION INSTRUCTIONS



SAFETY

Know Safety, no injury. Know injury, no safety. ~Author Unknown
If there are any questions, call 1-855-HHTOUGH

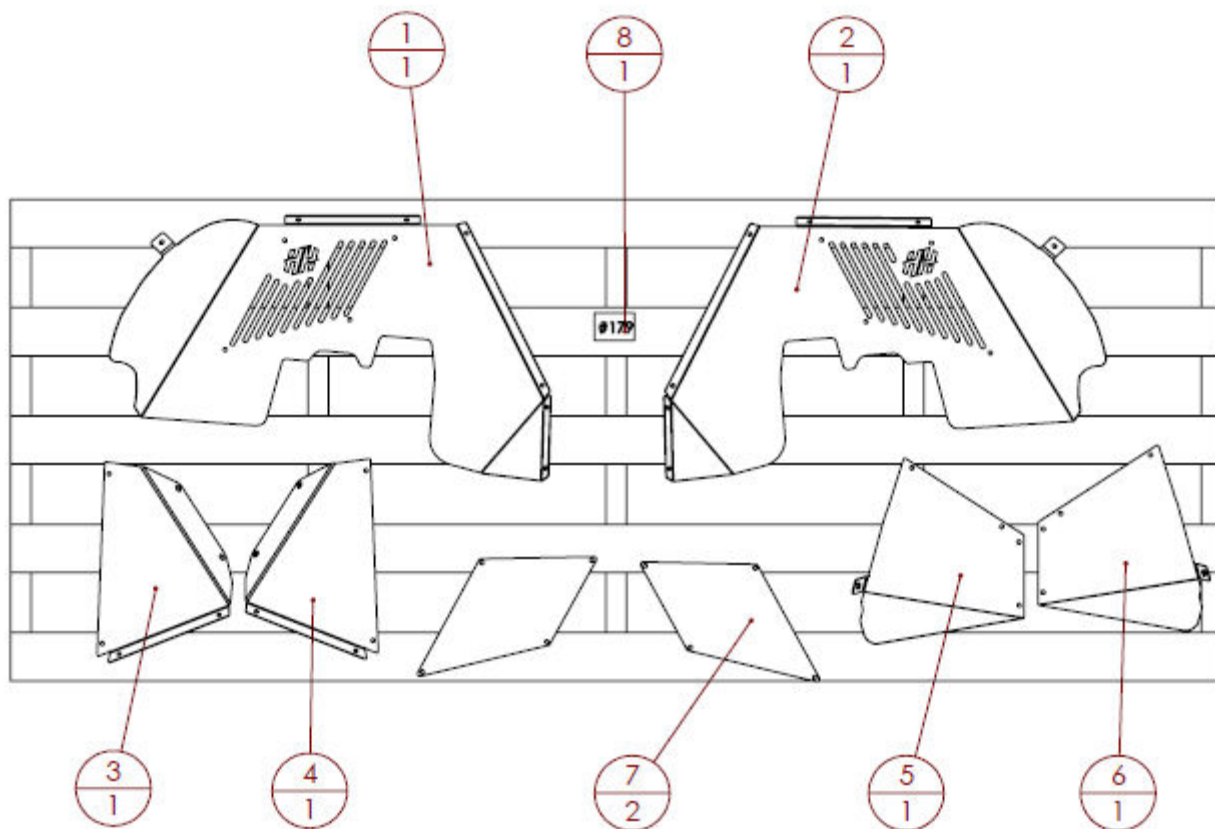
- **READ ALL SAFETY INSTRUCTIONS BEFORE INSTALLATION**
 - FOLLOW ALL INSTRUCTIONS FOR PROPER ASSEMBLY
 - WEAR APPROPRIATE EYE PROTECTION
 - EXERCISE CARE WHEN LIFTING COMPONENTS
 - USE APPROPRIATE TORQUE FOR BOLTS
 - BLUE THREAD LOCKING COMPOUND IS RECOMMENDED ON ALL BOLTS

SUGGESTED TORQUE VALUES FOR STEEL GRADE SAE 5 BOLTS

BOLT DIAMETER (INCH)	TREADS PER INCH	TORQUE (POUND-FEET)
1/4	20	7
5/16	18	14
3/8	16	25
7/16	14	40
1/2	13	60
9/16	12	88
5/8	11	120
3/4	10	200
7/8	9	302
1	8	466

I. PARTS LIST

ITEM NO.	QTY	PART NUMBER	DESCRIPTION
1	1	601-56-4520	LEFT FRONT 1
2	1	601-56-4521	RIGHT FRONT 1
3	1	601-56-4522	LEFT FRONT 2
4	1	601-56-4523	RIGHT FRONT 2
5	1	601-56-4524	LEFT FRONT 3
6	1	601-56-4525	RIGHT FRONT 3
7	2	601-56-4532	ACCENT PLATE
8	1	60K-56-0179	HARDWARE KIT #179



REMOVE CONTENTS FROM BOX AND VERIFY ALL PARTS ARE PRESENT.

If there are any questions, call 1-855 HHTOUGH or email HHORDERS@hammerheadarmor.com

II. TOOL LIST

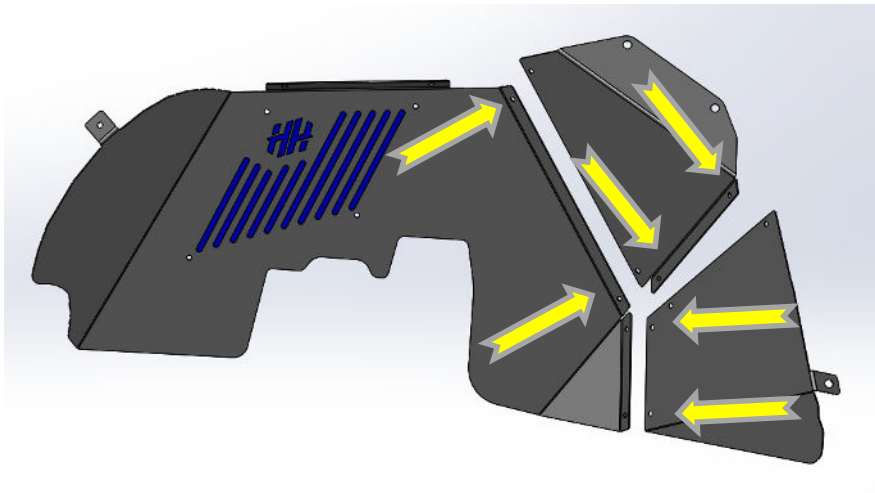
1. A Good Friend
2. Basic Tool Kit
3. Torx 40
4. Torx 30
5. 10mm wrench
6. Phillips head screwdriver
7. 7/32" drill bit
8. Center punch

III. VEHICLE PREPARATION

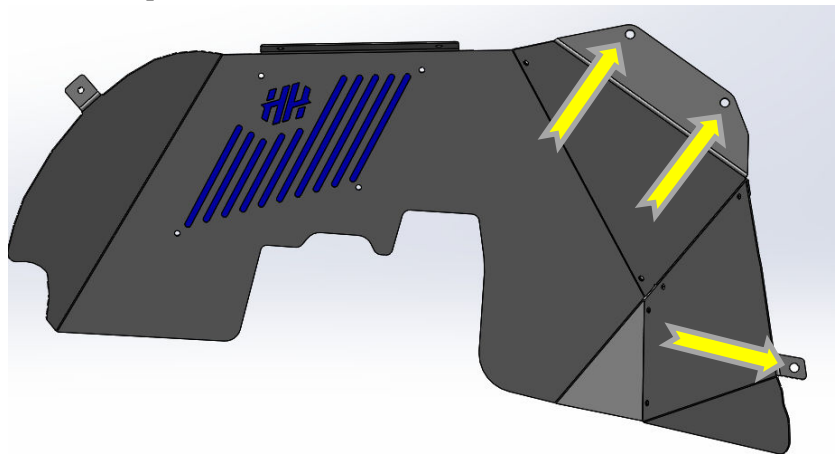
1. Remove the OE inner fenders if they have not been removed already.

IV. FRONT INNER FENDER ASSEMBLY

1. Using a torx 30 and a 10mm wrench, assemble the left inner fender as shown below. Use six short 6mm bolts and six 6mm nuts. Do not fully tighten.

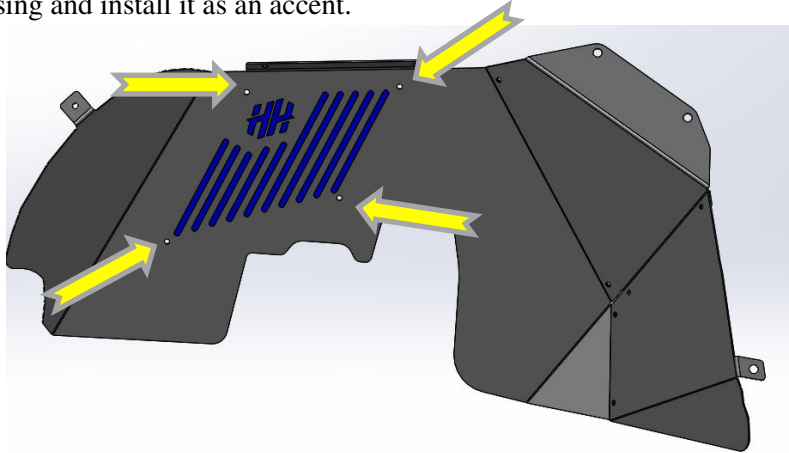


2. Attach three 8mm clip nuts to the holes shown below.



600-56-0857

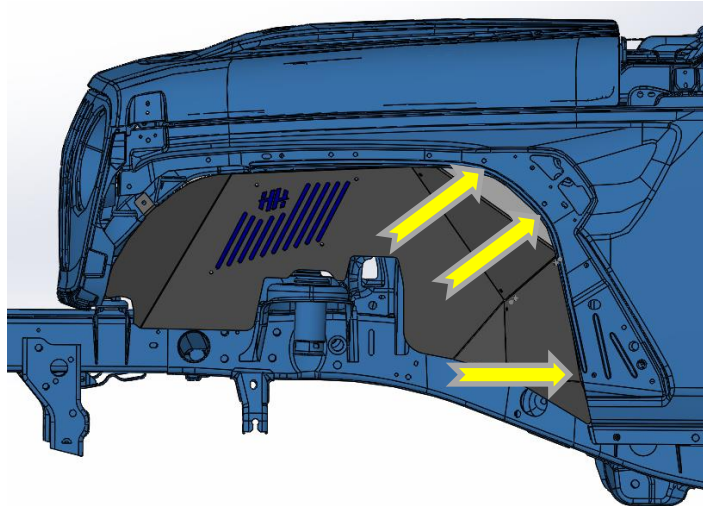
3. If desired use a torx 30 and a 10mm wrench to attach the accent plate as shown below. Use four short 6mm bolts and 6mm nuts. You can choose to leave the accent plate out for airflow, or paint it a color of your choosing and install it as an accent.



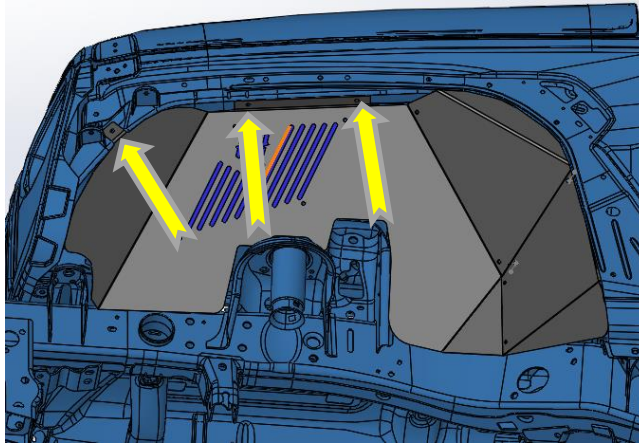
4. Do this for both sides.

V. FRONT INNER FENDER INSTALL

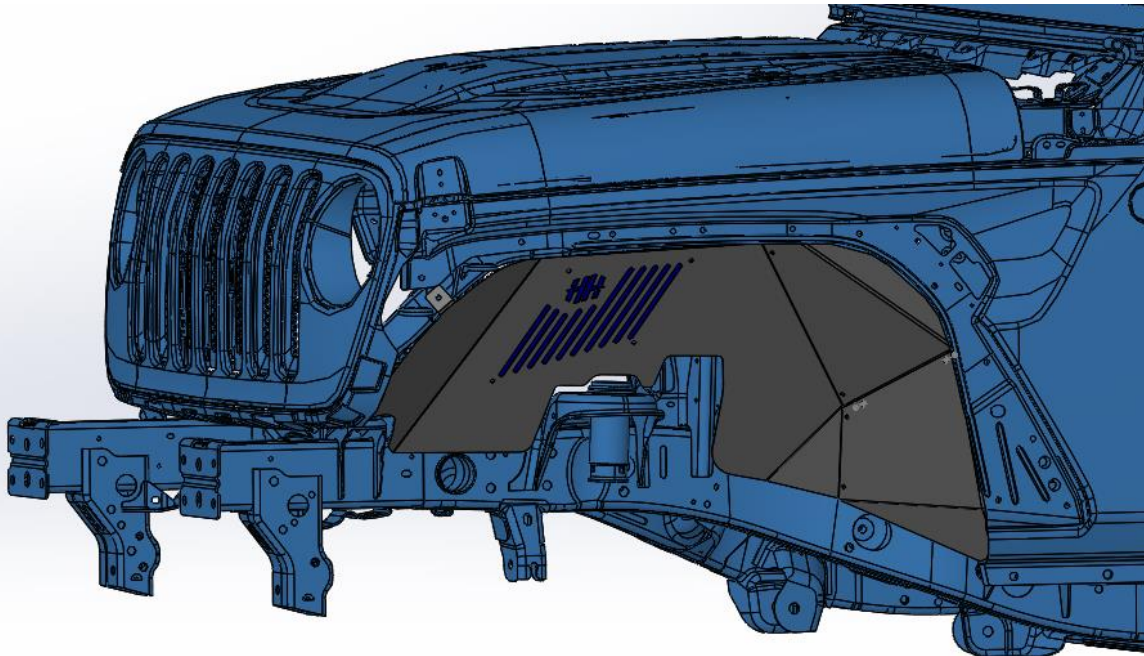
1. Place the Inner fender in the wheel well.
2. Using a torx 40, install three 8mm bolts in the locations shown below.



- Using a center punch, mark these three holes for drilling as shown below. Unbolt and remove the inner fender.



- Using the 7/32" drill bit, drill out the previously marked holes.
- Place the inner fender back in the wheel well and reinstall the 8mm bolts from step 2.
- Using the Philips head screwdriver install three sheet metal screws where you drilled in step 6.
- Do this for the other side.



**Congratulations! Your Installation is now complete.
Thank You for your purchase!**