

14" UNIVERSIAL IN BED SPARE TIRE CARRIER INSTALLATION INSTRUCTIONS



SAFETY

Know Safety, no injury. Know injury, no safety. ~Author Unknown
If there are any questions, call 1-855-HHTOUGH

- **READ ALL SAFETY INSTRUCTIONS BEFORE INSTALLATION**
 - FOLLOW ALL INSTRUCTIONS FOR PROPER ASSEMBLY
 - WEAR APPROPRIATE EYE PROTECTION
 - EXERCISE CARE WHEN LIFTING COMPONENTS
 - USE APPROPRIATE TORQUE FOR BOLTS
 - BLUE THREAD LOCKING COMPOUND IS RECOMMENDED ON ALL BOLTS





600-56-0939

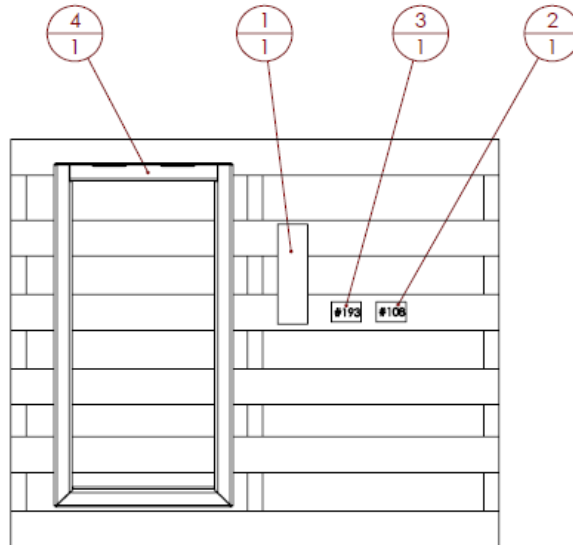
Suggested Torque Values For Steel Grade 5 Standard Bolts

BOLT DIAMETER (INCH)	THREADS PER INCH	TORQUE (POUND - FEET)
1/4	20	7
5/16	18	14
3/8	16	25
7/16	14	40
1/2	13	60
9/16	12	88
5/8	11	120
3/4	10	200
7/8	9	302
1	8	466

Suggested Torque Values For Steel Grade 8.8 Metric Bolts

BOLT DIAMETER (mm)	THREAD PITCH (mm)	TORQUE (POUND-FEET)
6	1.0	7
8	1.25	16
10	1.5	32
12	1.75	55
14	2.0	88
16	2.0	140
18	2.5	195
20	2.5	275
22	2.5	375
24	3.0	475

I. PARTS LIST



ITEM NO.	QTY.	PART NUMBER	DESCRIPTION
1	1	437-01-0025	RATCHET STRAP
2	1	60K-56-0108	HARDWARE KIT #108
3	1	60K-56-0193	HARDWARE KIT #193
4	1	60P-56-0939	UNIVERSAL IN BED STC

REMOVE CONTENTS FROM BOX AND VERIFY ALL PARTS ARE PRESENT.

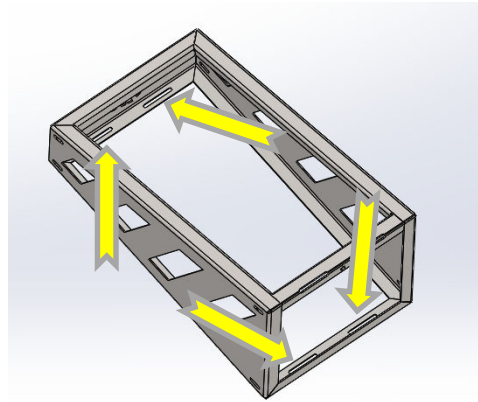
If there are any questions, call 1-855 HHTOUGH or email HHORDERS@hammerheadarmor.com

II. TOOL LIST

1. Basic Tool Kit
2. Safety glasses
3. Center punch
4. Hammer
5. Torx 40 bit
6. Drill
7. 1/8" drill bit
8. 9/16" drill bit or step bit
9. 17mm wrench
10. 13mm wrench
11. 3/4" wrench
12. 3/4" socket

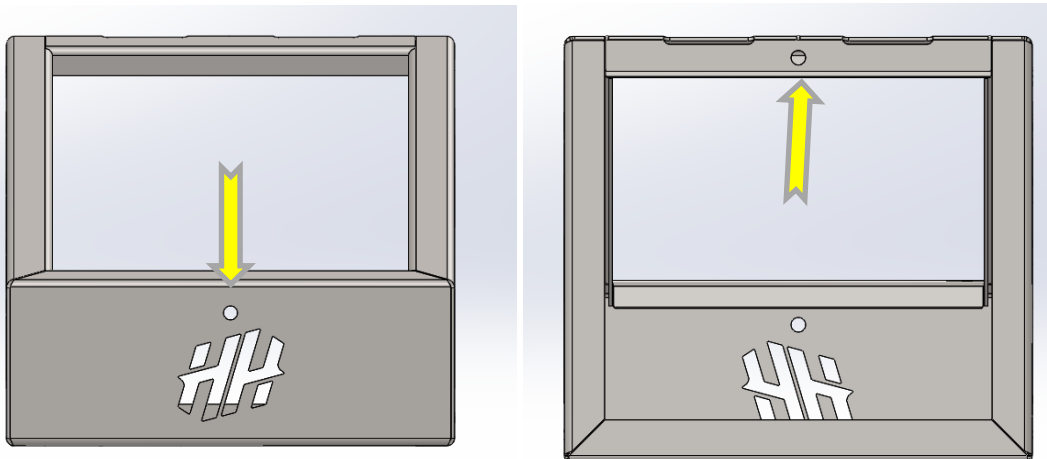
III. VEHICLE PREPARATION

1. Pick desired location in your bed for the STC. Place the STC in this location and make sure it is aligned to your liking.
2. There are 4 slots to use for mounting. Center punch locations (use safety glasses for protection) in each slot for drilling your bed. Make sure to mark in the center of the top creases in the bed. NOTE: Before drilling holes, check under the bed to verify you have 1.5" clearance for the nutserts.



IV. SPARE TIRE CARRIER PREPARATION

1. Using the 3/4" wrench and 3/4" socket, attach the strap to the STC in two the locations shown. You will use two 1/2" bolts, four 1/2" washers, two 1/2" lock washers, and two 1/2" bolts



V. NUTSERT INSTALLATION

1. Take your time. Nutsert installation is not difficult if you take your time and use proper tools.
2. How to assemble the provided nutsert tool is shown below. (Hardware kit #108)



3. Start by drilling a pilot hole. Use your 1/8" drill bit for this step.
4. After drilling the pilot hole use your 9/16" drill bit to drill out to the final hole size. (A step drill bit works much better than a standard 9/16". Shown below.



5. Once you have the hole drilled, screw the nutsert onto the nutsert tool and insert into the hole.
6. Turn the 13mm wrench while holding the nut with the 17mm wrench until the nutsert is installed. (4 rotations of the 13mm is roughly how tight it should be for install. You could mark the socket or bolt to know how many rotations you have made.)



7. Overtightening the nutsert will make it fail. Make sure not to do this.

VI. SPARE TIRE CARRIER INSTALLATION

1. Place STC back in original position.
2. Using a T40 socket install the four 8mm bolts into the nutserts you installed in the previous step.
3. Roll tire into carrier and strap down securely.



**Congratulations! Your Installation is now complete.
Thank You for your purchase!**