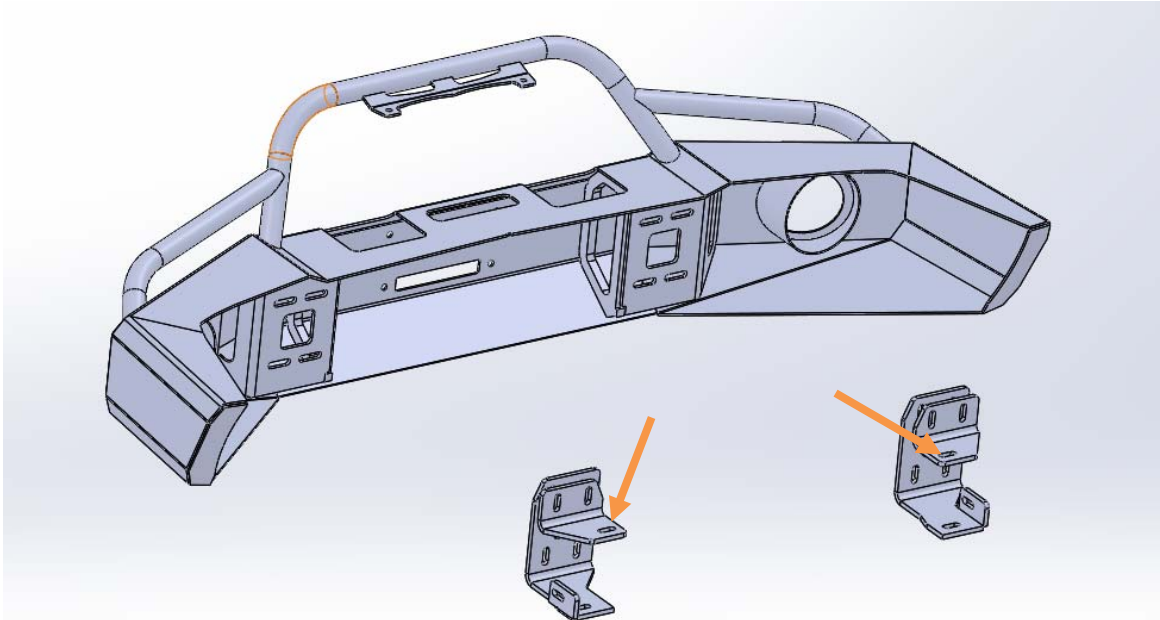


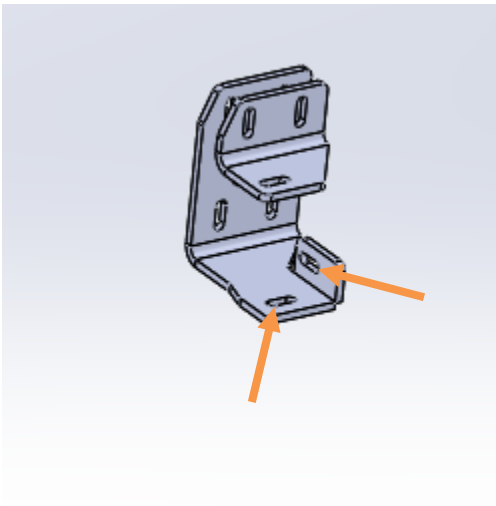
2003-2005 Chevy 1500 Front Bumper

Installation of Hammerhead bumper

1. Using OEM Hardware, attach top mounts to OEM frame mounts. (orange arrows)



2. In this step you will use hardware from kit #4. Using two $\frac{1}{2}$ "-13 x 2.00" bolts, four $\frac{1}{2}$ " flat washers, two $\frac{1}{2}$ " lock washers, and two $\frac{1}{2}$ "-13 hex nuts attach Hammerhead lower mounts to OEM frame. (orange arrows) One bolt will go in the side of the frame and one will go through the bottom of the frame. (both sides)



3. In this step you will use hardware from kit #1. Using eight $\frac{1}{2}$ "-13 x 2.00" bolts, sixteen $\frac{1}{2}$ " flat washers, eight $\frac{1}{2}$ " lock washers, and eight $\frac{1}{2}$ "-13 hex nuts attach Hammerhead bumper to Hammerhead frame mounts. (orange arrows) Align and tighten all hardware using a $\frac{3}{4}$ " wrench and socket.

