

2019-20XX Chevy/GMC 1500 CC SWB Bed Access

RUNNING BOARD INSTALLATION INSTRUCTIONS



SAFETY

Know safety, no injury. Know injury, no safety. ~Author Unknown

- **READ ALL SAFETY INSTRUCTIONS BEFORE INSTALLATION**
 - FOLLOW ALL INSTRUCTIONS FOR PROPER ASSEMBLY
 - WEAR APPROPRIATE EYE PROTECTION
 - EXERCISE CARE WHEN LIFTING COMPONENTS
 - USE APPROPRIATE TORQUE FOR BOLTS
 - BLUE THREAD LOCKING COMPOUND IS RECOMMENDED ON ALL BOLTS





2019-20XX Chevy/GMC 1500

Suggested Torque Values For Steel Grade 5 Standard Bolts		
BOLT DIAMETER (INCH)	THREADS PER INCH	TORQUE (POUND - FEET)
1/4	20	7
5/16	18	14
3/8	16	25
7/16	14	40
1/2	13	60
9/16	12	88
5/8	11	120
3/4	10	200
7/8	9	302
1	8	466

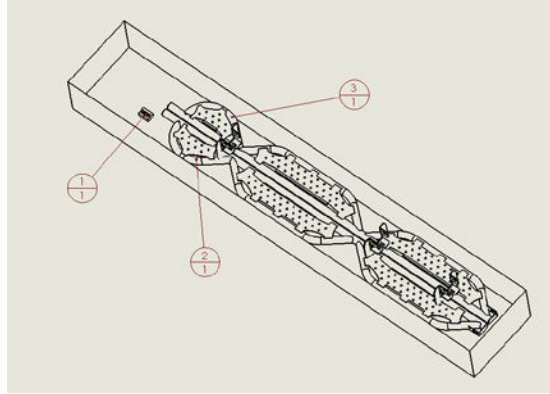
Suggested Torque Values For Steel Grade 8.8 Metric Bolts		
BOLT DIAMETER (mm)	THREAD PITCH (mm)	TORQUE (POUND-FEET)
6	1.0	7
8	1.25	16
10	1.5	32
12	1.75	55
14	2.0	88
16	2.0	140
18	2.5	195
20	2.5	275
22	2.5	375
24	3.0	475



2019-20XX Chevy/GMC 1500

I. PARTS LIST

ITEM NO.	QTY.	PART NUMBER	DESCRIPTION
1	1	60K-56-0200	HARDWARE KIT #200
2	1	60P-56-0985	RIGHT RUNNING BOARD
3	1	60P-56-0986	LEFT RUNNING BOARD



II. TOOL LIST

1. A good friend
2. Basic tool kit
3. 13mm socket

III. VEHICLE PREPARATION

1. Your truck has three sets of threaded inserts per side to install your new HH running boards. Clean the surfaces around the threaded inserts.



Front



middle



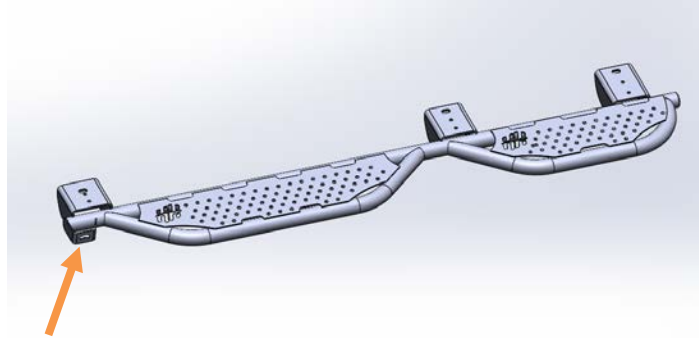
rear



2019-20XX Chevy/GMC 1500

IV. **RUNNING BOARD INSTALLATION**

1. Identify the left running board. It will have a bottle opener (arrow) on the left side.



(Picture is for reference only; your running boards may differ.)

2. Have a friend help you hold the running board up to the mounting location.
3. Install one bolt, lock washer and flat washer from hardware kit # 200 in the top hole of the front mount in the threaded insert. Hand tighten bolt.
4. Install one bolt, lock washer and flat washer in the top hole of the rear mount. Hand tighten bolt.
5. Install the remaining hardware. Tighten all hardware with 13mm socket. Installation is now complete. Follow the same procedure for the right side of the vehicle.



**Congratulations! Your Installation is now complete.
Thank You for your purchase!**